



Europäisches Patentamt
European Patent Office
Office européen des brevets



(11) **EP 1 347 353 A1**

(12) **EUROPEAN PATENT APPLICATION**
published in accordance with Art. 158(3) EPC

(43) Date of publication:
24.09.2003 Bulletin 2003/39

(51) Int Cl.7: **G05D 7/01**

(21) Application number: **01998163.8**

(86) International application number:
PCT/JP01/09782

(22) Date of filing: **08.11.2001**

(87) International publication number:
WO 02/044823 (06.06.2002 Gazette 2002/23)

(84) Designated Contracting States:
**AT BE CH CY DE DK ES FI FR GB GR IE IT LI LU
MC NL PT SE TR**
Designated Extension States:
AL LT LV MK RO SI

(72) Inventors:
• **TSUKITA, Shouichirou**
Nakagyou-ku, Kyoto-shi, Kyoto 604-0811 (JP)
• **FUNATSU, Takashi**
Higashikurume-shi, Tokyo 203-0044 (JP)
• **SHOUJI, Shuuchi**
Tokorozawa-shi, Saitama 359-0044 (JP)

(30) Priority: **29.11.2000 JP 2000362915**

(71) Applicant: **JAPAN SCIENCE AND TECHNOLOGY
CORPORATION**
Kawaguchi-shi, Saitama 332-0012 (JP)

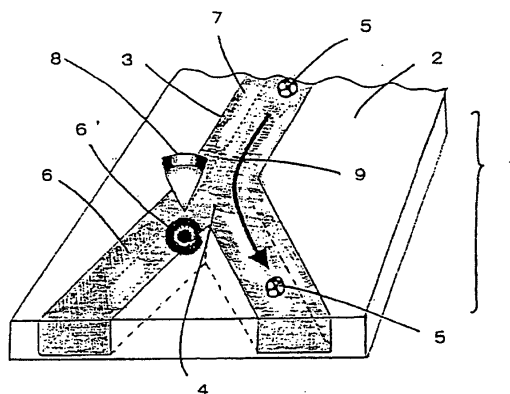
(74) Representative: **Calamita, Roberto**
Frank B. Dehn & Co.,
European Patent Attorneys,
179 Queen Victoria Street
London EC4V 4EL (GB)

(54) **FLOW CONTROL METHOD FOR MICRO SYSTEM**

(57) A method of simply controlling the flow of fluid in a micro system without using a complicated valve structure, comprising the steps of adding the substance transformed from sol-gel by stimulation to the fluid flow-

ing through the micro flow passage of the micro system, and adding the stimulation to the fluid at a desired position on the micro flow passage to transform the fluid into gel for flow control.

Fig. 1



EP 1 347 353 A1

Description

Technical field

[0001] The invention of the present application relates to a flow control method in a micro system. More specifically, the invention of the present application relates to an on-off method for a fluid flow in a micro system.

Background Art

[0002] By the development of the minute processing technique in the semiconductor industry, a micro electrode produced on a silicon or glass substrate is used widely in the analysis appliances such as an electrochemical detector for a liquid chromatography, and a small electro-chemical sensor at the medical treatment site. Moreover, in the field of the genome analysis, in order to determine the DNA base sequence, an electrophoresis analysis is executed commonly in a minute micro channel produced on a glass substrate. Also from this viewpoint, production of a micro electrode on a substrate is regarded as extremely important.

[0003] Such interest to the micro system is not only limited to the micro electrode but recently, production and development of a micro-total-analysis system (μ -TAS) and a micro reactor, in the light of developing the analysis appliances, attracts the attention so that study is promoted actively worldwide. The μ -TAS and the micro reactor have various aspects superior to the conventional devices such as the capability of measurement and analysis with a small amount of a specimen, the portability, the realization of a low cost, or the like. Therefore, a method for introducing various structures onto a substrate is regarded as important and it is discussed more than before.

[0004] Therefore, according to the μ -TAS and the micro reactor, minute structures for providing the role of a tube and a valve in an ordinary analysis appliance or chemical reactor, needs to be produced on the substrate. As to the shaping process for a minute flow passage, it is realized by application of the conventional photolithography or etching technique. However, as to the minute valve, it is considered to be difficult to obtain practically usable one.

[0005] Since the minute valve is a portion to be driven and it is also a portion to control the flow of a specimen, high durability and accuracy are required. However, a method for providing a minute valve having the durability and accuracy required to the μ -TAS or the micro reactor has not been established. Moreover, since a valve used in an analysis appliance or chemical reactor inevitably has many parts to be the cause of leakage, choking or the like, it's difficult to keep the desired performance.

[0006] Then, the invention of the present application has been achieved in view of the above-mentioned circumstances, and an object thereof is to provide a method for simply controlling the flow of a fluid in a micro

system, without using a complicated valve structure, capable of solving the problems in the conventional technique.

5 Disclosure of the Invention

[0007] The invention of the present application firstly provides, as a solving means for the object, a method for controlling the flow of a fluid in a micro system, comprising the steps of adding a sol-gel transitional substance by stimulation to a fluid flowing in a minute flow passage of a micro system, and applying stimulation to a desired point on the minute flow passage so as to transform the fluid to a gel for flow control.

[0008] Moreover, the invention of the present application secondly provides the control method for the flow in a micro system, wherein the stimulation is the temperature change in the above-mentioned first invention, and it thirdly provides the control method for the flow in a micro system, wherein the stimulation is a voltage.

[0009] The invention of the present application furthermore provides fourthly a control method for the flow in a micro system, wherein the temperature change is generated by the local irradiation of an infrared ray in the above-mentioned second invention.

[0010] The invention of the present application fifthly provides the control method for the flow in a micro system, wherein the sol-gel transitional substance by the stimulation is a methyl cellulose according to any of claims 1 to 4.

[0011] Furthermore, the invention of the present application sixthly provides a micro system for controlling the flow of a fluid by the control method for the flow according to any of the first to fifth inventions.

[0012] Then, the invention of the present application seventhly provides an apparatus containing the micro system of the sixth invention.

Brief Description of the Drawings

[0013]

Fig. 1 is a conceptual diagram showing an example of a control method for the flow in a micro system of this invention, wherein numeral 1 represents a micro system, numeral 2 represents a substrate, numeral 3 represents a minute flow passage, numeral 4 represents a branch point, numeral 5 represents a specimen, numeral 6 represents a sol-gel transitional substance (sol), numeral 6' represents a sol-gel transitional substance (gel), numeral 7 represents a fluid, numeral 8 represents an infrared laser, and numeral 9 represents a flow.

Fig. 2 is a figure showing a photographic image of a flow in a micro system having a Y-shaped flow passage in an embodiment of this invention, wherein symbol a represents the state before the infrared laser irradiation, symbol b represents the state be-

fore the infrared laser irradiation, symbol c represents the infrared laser irradiation, symbol d represents the infrared laser irradiation stoppage and the arrows represent the flow direction.

Best Mode for Carrying Out the Invention

[0014] A method for controlling the flow of a fluid in a micro system according to the invention of the present application is based on the principle of adding a sol-gel transitional substance by stimulation to a fluid flowing in a minute flow passage of a micro system, and applying stimulation locally to a point whereat the flow is to be controlled, and thereby gelling the substance in the fluid so as to choke the flow passage or form a new wall in the flow passage so that the flow is stopped, or the flow direction or the flow rate is changed. Moreover, by eliminating the stimulation, the gelled substance becomes again a sol so that the flow is returned to the original state.

[0015] According to the method for controlling the flow in a micro system, for example as shown in Fig. 1, by providing a Y-shaped branch point (4) on a minute flow passage (3) produced on a substrate (2) of a micro system (1), supplying a fluid (7) containing a specimen (5) and a sol-gel transitional substance (6), and applying stimulation on the downstream side by an infrared laser (8), or the like, the substance (6) is gelled (6') at the point of receiving the stimulation so that selective flow control of the fluid in one or a plurality of the minute flow passages (3). Moreover, by adjusting the position and the range of applying the stimulation of the infrared laser (8), or the like, the substance (6) is gelled (6') so as to form a wall on the minute flow passage (3) and narrow the width of the minute flow passage (3) so that the flow rate of the fluid (7) can be controlled. Therefore, according to the method for controlling the flow in a micro system of the invention of the present application, the sol-gel transitional substance (6) added in the fluid (7) provides the function of a minute valve for stopping the flow of the fluid (7) or adjusting the flow amount or the flow rate. Then, such a minute valve has the on-off function corresponding to the load or elimination of stimulation.

[0016] According to the method for controlling the flow in a micro system of the invention of the present application, the method for applying the stimulation can be selected according to the sol-gel transitional substance by the stimulation in the fluid as long as it is a method capable of controlling the flow in a fluid based on the above-mentioned principle and mechanism, and thus it may be any one. For example, in the case a sol-gel transitional substance by the temperature change is used, it can be the temperature, and in the case a sol-gel transitional substance by the voltage application is used, it can be the electricity. Additionally, pH, humidity change, light, or the like can be presented as the examples, however, the flow cannot be controlled partially according to those applying the stimulation over the entirety of the

fluid so as to disable the on-off control, and thus they are not preferable. That is, stimulation to be applied locally on the minute flow passage of the micro system is preferable. As such stimulation, temperature and electricity can be presented preferably. For example, in order to provide the temperature change, by directing an infrared laser, local heating can be enabled. Since a minute range can be heated rapidly by light concentration or a wide range can be heated by scanning, and thus it is preferable. As a method for locally applying the electric stimulation, an electrode, or the like can be provided at a desired point on the minute flow passage.

[0017] Furthermore, according to the method for controlling the flow in a micro system of the invention of the present application, the sol-gel transitional substance by the stimulation can be any one. Those which are not reactive with the other substances such as the specimen and the solvent supplied in the minute flow passage, nor do not influence them can be selected from various kinds of polymer compounds.

[0018] The sol-gel transition is the phenomenon generally observed in a polymer compound. A polymer exists in a solution in a colloid-like state, and this state is referred to as a sol. By gradually promoting the cross-link formation between the polymers, the polymer solution is changed from a liquid-like sol to a soft solid-like gel. As a substance to cause such sol-gel transition by stimulation, a methyl cellulose and a gelatin to cause the reversible sol-gel transition at about 55°C, and an N-isopropyl acrylamide to cause the sol-gel transition by application of about a 10 V/cm electric field can be presented preferably. A harmless methyl cellulose to have a stable sol state at a room temperature can be presented particularly preferably.

[0019] According to the method for controlling the flow in a micro system of the invention of the present application, the concentration, the molecular weight, the cross-linking degree, or the like of the substance to have the sol-gel transition by the above-mentioned stimulation are not particularly limited as long as they are to the extent not to influence the other substances contained in the fluid, such as the specimen and the fluid without remarkably raising the viscosity of the fluid. According to the elaborate study of the inventors, one having a 0.1 to 1 wt% concentration of a viscosity of about 10 to 1,000 times as much as that of water is preferable. of course, a concentration or a viscosity outside the ranges can be adopted according to the situation such as the case of analyzing the behavior of a highly viscous fluid, or the like.

[0020] In the method for controlling the flow in a micro system of the invention of the present application, as the micro system to be the subject, its shape, material, size, or the like are not particularly limited as long as it has a minute flow passage and a valve capable of locally stopping the flow of a fluid or adjusting the flow amount or the flow rate. The method for controlling the flow in a micro system of the invention of the present application

can control the flow particularly in a minute flow passage accurately by stimulation such as temperature. Since the sol-gel transition of a substance in a fluid is applied, the changeoverspeed can be shortened with a smaller flow passage size of about 1 to 500 μm . For example, with about a 10 μm flow passage size, changeover by a millisecond order speed can be enabled. Of course according to the method for controlling the flow in a micro system of the invention of the present application, the flow passage size on the micro system is not limited thereto.

[0021] Moreover, the invention of the present application also provides a micro system for controlling the flow of a fluid according to the above-mentioned method. Its shape, material, size, application, or the like of such a micro system are not particularly limited as long as it can stop the flow or adjust the flow amount or the flow rate by applying stimulation to a fluid with a sol-gel transitional substance added as mentioned above.

[0022] Furthermore, the invention of the present application also provides an apparatus containing such a micro system. For example, an analysis appliance capable of analyzing with a minute amount of a specimen, such as an electrochemical sensor and an electrophoresis apparatus, a chemical reactor enabling synthesis using a minute amount of a starting substance, or the like can be presented. Of course, the apparatus of the invention of the present application is not limited thereto, and as its application, configuration, size, material, or the like, various ones can be considered.

[0023] Hereinafter, with reference to the accompanied drawings, an example will be shown for explaining the embodiment of this invention further in detail. Of course this invention is not limited by the following example, and it is needless to say that various embodiments can be applied for the details.

Example

<Example 1>

[0024] A minute flow passage (inlet: width 150 μm , depth 50 μm , outlet: width 75 μm , depth 50 μm) having a Y-shaped branch point as shown in Fig. 1 was produced on a silicon substrate.

[0025] A 1% by weight methyl cellulose solution containing fluorescent latex beads having a 1 μm diameter was supplied to the minute flow passage by a 1.5 $\mu\text{L}/\text{min}$.

[0026] The flow of the fluid in the flow passage was photographed by a CCD camera (produced by Dage-MTI corp. CCD-300-RC). One frame (33 millisecond exposure) thereof is shown in Figs. 2(a) and (b). According to Figs. 2(a) and (b), the fluid flowing state in the Y-shaped minute flow passage was observed.

[0027] Next, an infrared laser having a 1,480 nm wavelength and a 0.8 W output was directed to the vicinity of the inlet of one of the minute flow passages on

the downstream side of the branch point. The fluid flow in the minute flow passage at the time of directing the infrared laser was photographed so that gelation of the methyl cellulose in the minute flow passage on the side with the infrared laser irradiation so as to cause choking of the flow passage was confirmed (Fig. 2(c)).

[0028] Furthermore, by stopping the infrared laser irradiation, the gel of the methyl cellulose immediately became a sol so that the fluid flowing state in the entirety of the Y-shaped flow passage was observed again (Fig. 2(d)).

[0029] From the description above, the function of a methyl cellulose in the fluid as a high performance minute value to quickly respond to the infrared laser irradiation and to be used repeatedly was confirmed.

Industrial Applicability

[0030] As heretofore explained in detail, according to this invention, a simple method for stopping the flow of a fluid in a micro system, or adjusting the flow amount or the flow rate without using a complicated valve structure can be provided.

Claims

1. A method for controlling the flow of a fluid in a micro system, **characterized in** comprising the steps of adding a sol-gel transitional substance by stimulation to a fluid flowing in a minute flow passage of a micro system, and applying stimulation to a desired point on the minute flow passage so as to transform the fluid to a gel for flow control.
2. The method for controlling the flow in the micro system according to claim 1, wherein the stimulation is the temperature change.
3. The method for controlling the flow in the micro system according to claim 1, wherein the stimulation is a voltage.
4. The method for controlling the flow in the micro system according to claim 2, wherein the temperature change is generated by the local irradiation of an infrared ray.
5. The method for controlling the flow in the micro system according to any of claims 1 to 4, wherein the sol-gel transitional substance by the stimulation is a methyl cellulose.
6. A micro system for controlling the flow of a fluid by the control method for the flow according to any of the claims 1 to 5.
7. An apparatus containing the micro system of claim 6.

Fig. 1

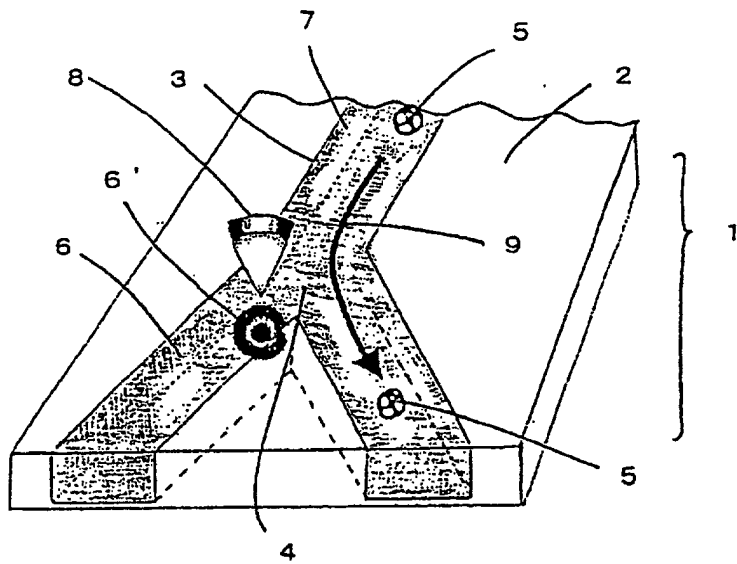
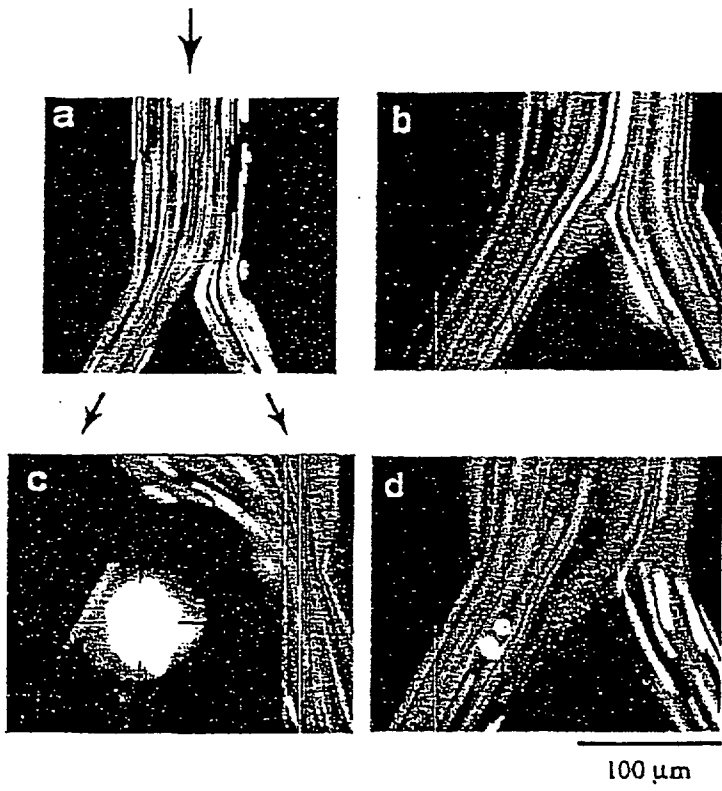


Fig. 2



INTERNATIONAL SEARCH REPORT

International application No.

PCT/JP01/09782

A. CLASSIFICATION OF SUBJECT MATTER Int.Cl. ⁷ G05D7/01		
According to International Patent Classification (IPC) or to both national classification and IPC		
B. FIELDS SEARCHED		
Minimum documentation searched (classification system followed by classification symbols) Int.Cl. ⁷ G05D7/01, G05D7/00, F16K13/00		
Documentation searched other than minimum documentation to the extent that such documents are included in the fields searched Jitsuyo Shinan Koho 1926-1996 Jitsuyo Shinan Toroku Koho 1996-2002 Kokai Jitsuyo Shinan Koho 1971-2002 Toroku Jitsuyo Shinan Koho 1994-2002		
Electronic data base consulted during the international search (name of data base and, where practicable, search terms used)		
C. DOCUMENTS CONSIDERED TO BE RELEVANT		
Category*	Citation of document, with indication, where appropriate, of the relevant passages	Relevant to claim No.
X	JP 05-180352 A (Canon Inc.), 20 July, 1993 (20.07.1993), Full text (Family: none)	1-7
A	JP 51-102226 A (Sumitomo Electric Industries, Ltd.), 09 September, 1976 (09.09.1976), Fig. 2 (Family: none)	1-2
A	JP 58-161010 A (Mitsubishi Electric Corporation), 24 September, 1983 (24.09.1983), Fig. 1 (Family: none)	1, 3
<input type="checkbox"/> Further documents are listed in the continuation of Box C.		<input type="checkbox"/> See patent family annex.
* Special categories of cited documents:	"T" later document published after the international filing date or priority date and not in conflict with the application but cited to understand the principle or theory underlying the invention	
"A" document defining the general state of the art which is not considered to be of particular relevance	"X" document of particular relevance; the claimed invention cannot be considered novel or cannot be considered to involve an inventive step when the document is taken alone	
"E" earlier document but published on or after the international filing date	"Y" document of particular relevance; the claimed invention cannot be considered to involve an inventive step when the document is combined with one or more other such documents, such combination being obvious to a person skilled in the art	
"L" document which may throw doubts on priority claim(s) or which is cited to establish the publication date of another citation or other special reason (as specified)	"&" document member of the same patent family	
"O" document referring to an oral disclosure, use, exhibition or other means		
"P" document published prior to the international filing date but later than the priority date claimed		
Date of the actual completion of the international search 04 February, 2002 (04.02.02)	Date of mailing of the international search report 12 February, 2002 (12.02.02)	
Name and mailing address of the ISA/ Japanese Patent Office	Authorized officer	
Facsimile No.	Telephone No.	

Form PCT/ISA/210 (second sheet) (July 1992)