



US 20060147356A1

(19) **United States**

(12) **Patent Application Publication** (10) **Pub. No.: US 2006/0147356 A1**

Sadakata et al. (43) **Pub. Date: Jul. 6, 2006**

(54) **APPARATUS FOR SIMULTANEOUS DRY
DESULFURIZATION/DENITRIFICATION**

Publication Classification

(76) Inventors: **Masayoshi Sadakata**, Tokyo (JP);
Mitsuo Koshi, Tokyo (JP); **Masateru
Nishioka**, Miyagi (JP)

(51) **Int. Cl.**
B01D 53/34 (2006.01)
(52) **U.S. Cl.** **422/168; 422/173**

Correspondence Address:

**WESTERMAN, HATTORI, DANIELS &
ADRIAN, LLP**
1250 CONNECTICUT AVENUE, NW
SUITE 700
WASHINGTON, DC 20036 (US)

(57) **ABSTRACT**

It is an high efficiency and low cost apparatus for simultaneous dry desulfurization and denitration (10), capable of simultaneous oxidation of nitrogen monoxide and sulfur dioxide by chain reaction with OH radical, provided with an OH radical supplying unit (12), a reactor (14), a sulfuric acid recovering unit (16), and a nitric acid recovering unit (18). Exhaust gas at 600-800° C. containing sulfur compounds from a boiler (2) is introduced into the reactor (14), nitric acid is spray-supplied from an OH radical supplying unit (12) into the reactor (14), sulfur dioxide and nitrogen monoxide are simultaneously oxidized with OH radicals generated from pyrolysis of nitric acid as an initiator to form sulfur trioxide and nitrogen dioxide, thereby exhaust gas is treated.

(21) Appl. No.: **10/547,085**

(22) PCT Filed: **Dec. 26, 2003**

(86) PCT No.: **PCT/JP03/17025**

(30) **Foreign Application Priority Data**

Feb. 28, 2003 (JP) 2003-054900

FIG. 1

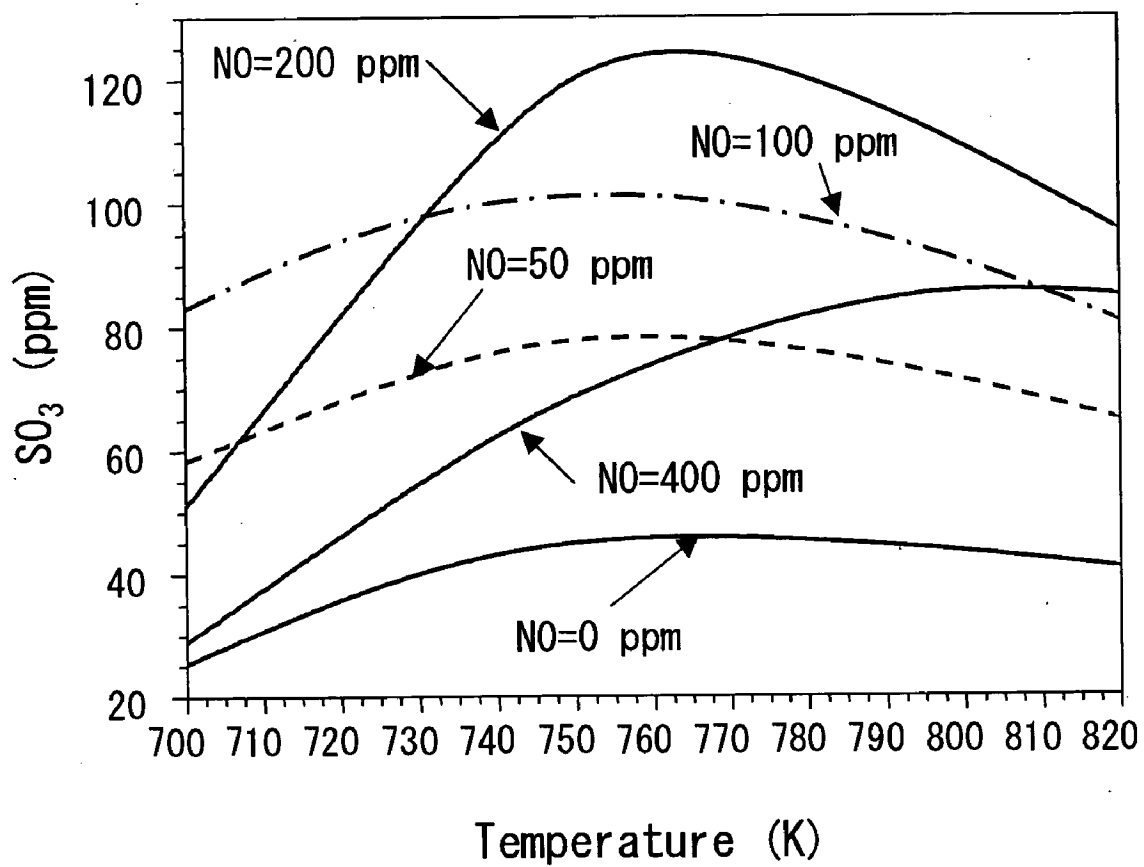


FIG. 2

Reaction	$k=AT^n \exp(-E_a/RT)$ (cm,mol,s,cal unit)		
	A	n	E _a
$\text{OH}+\text{HNO}_3=\text{H}_2\text{O}+\text{NO}_3$	1.03×10^{10}	0.0	-1240
$\text{O}+\text{HNO}_3=\text{OH}+\text{NO}_3$ *	—	—	—
$\text{H}+\text{HNO}_3=\text{H}_2\text{O}+\text{NO}_2$	6.08×10^1	3.29	6286
$\text{H}+\text{HNO}_3=\text{H}_2+\text{NO}_3$	5.56×10^8	1.53	16400
$\text{H}+\text{HNO}_3=\text{OH}+\text{HONO}$	3.82×10^5	2.30	6977
$\text{NO}_3+\text{OH}=\text{HO}_2+\text{NO}_2$	1.40×10^{13}	0.0	0
$\text{NO}_3+\text{O}=\text{NO}_2+\text{O}_2$	1.02×10^{13}	0.0	0
$\text{NO}_3+\text{H}=\text{OH}+\text{NO}_2$	6.61×10^{13}	0.0	0

* : $k < 1.8 \times 10^7$ at 300K and not included in the calculation

FIG. 3

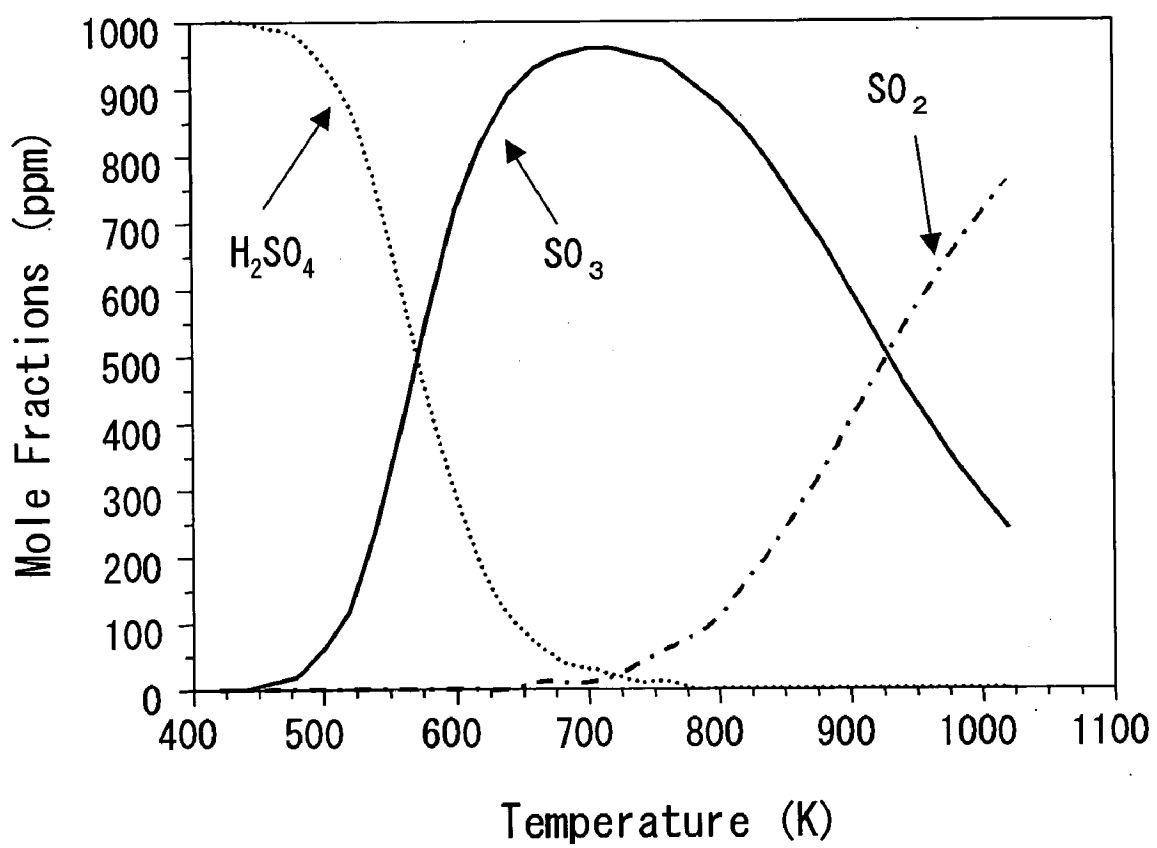


FIG. 4

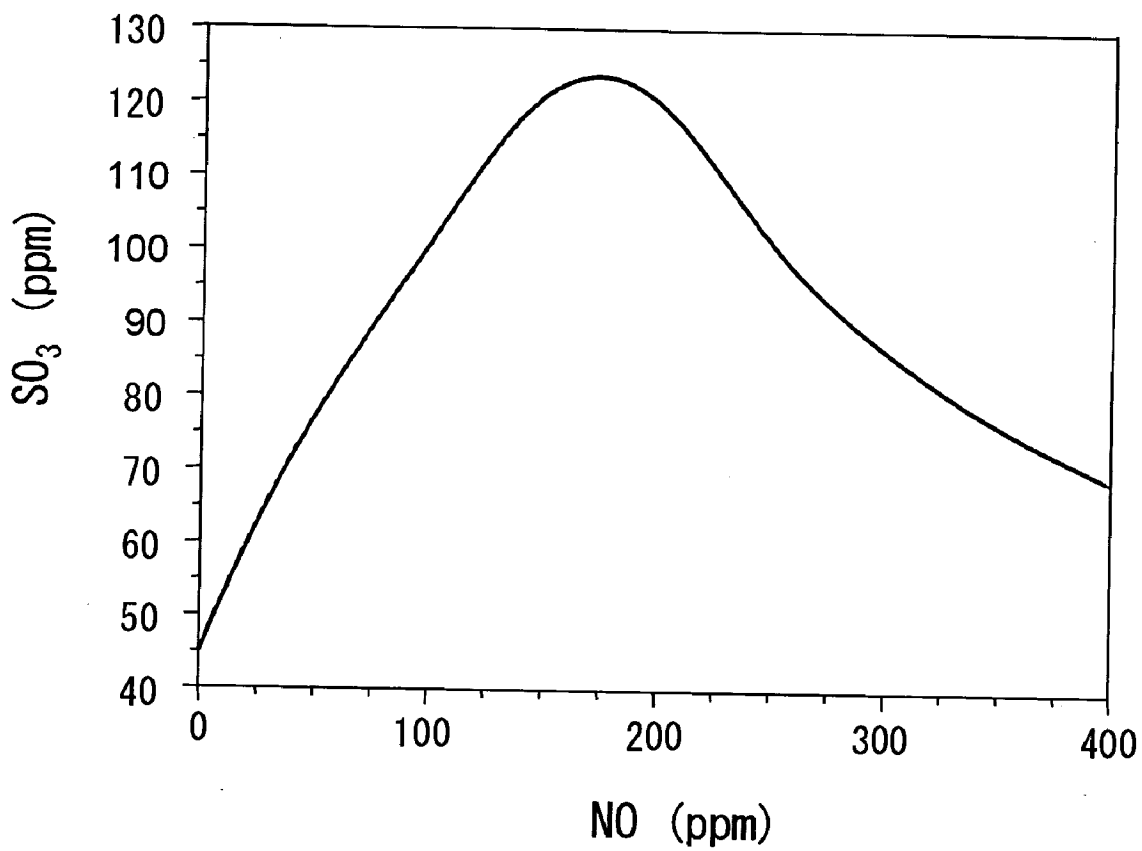


FIG. 5

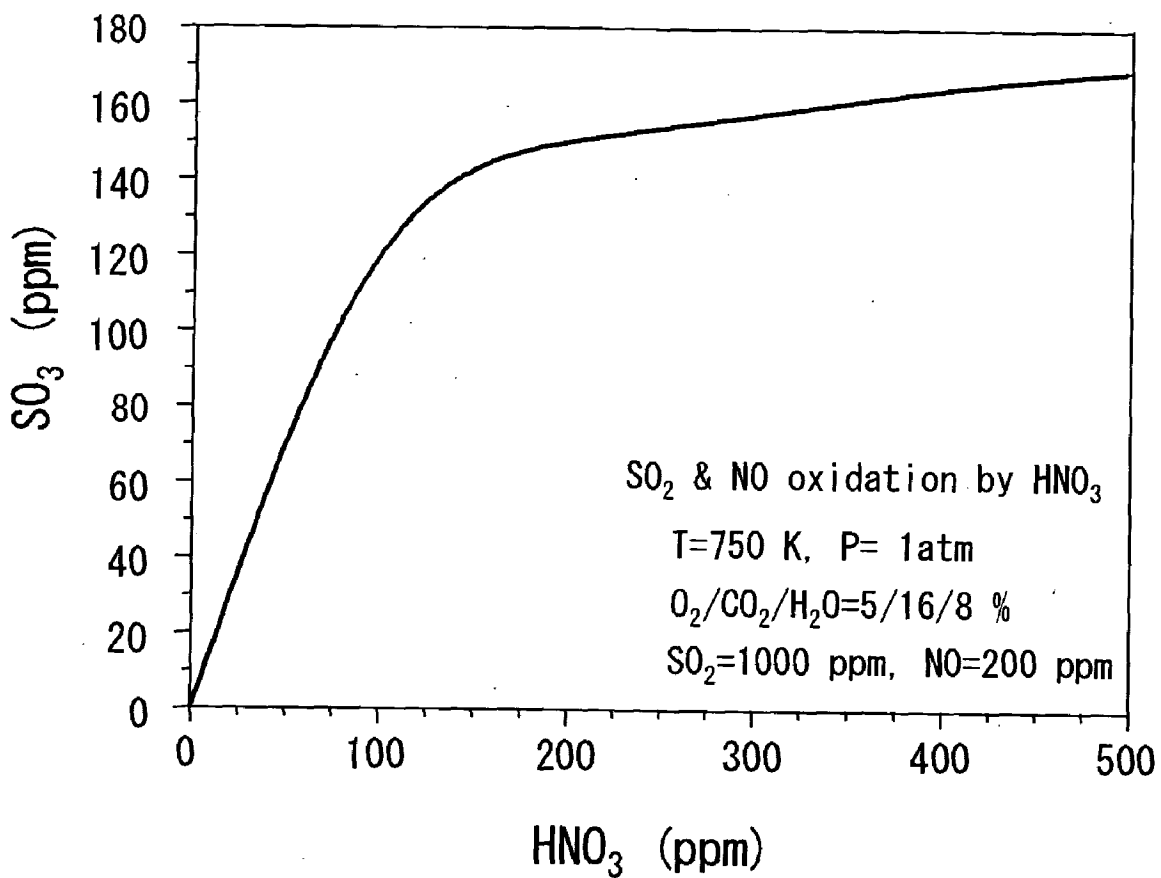


FIG. 6

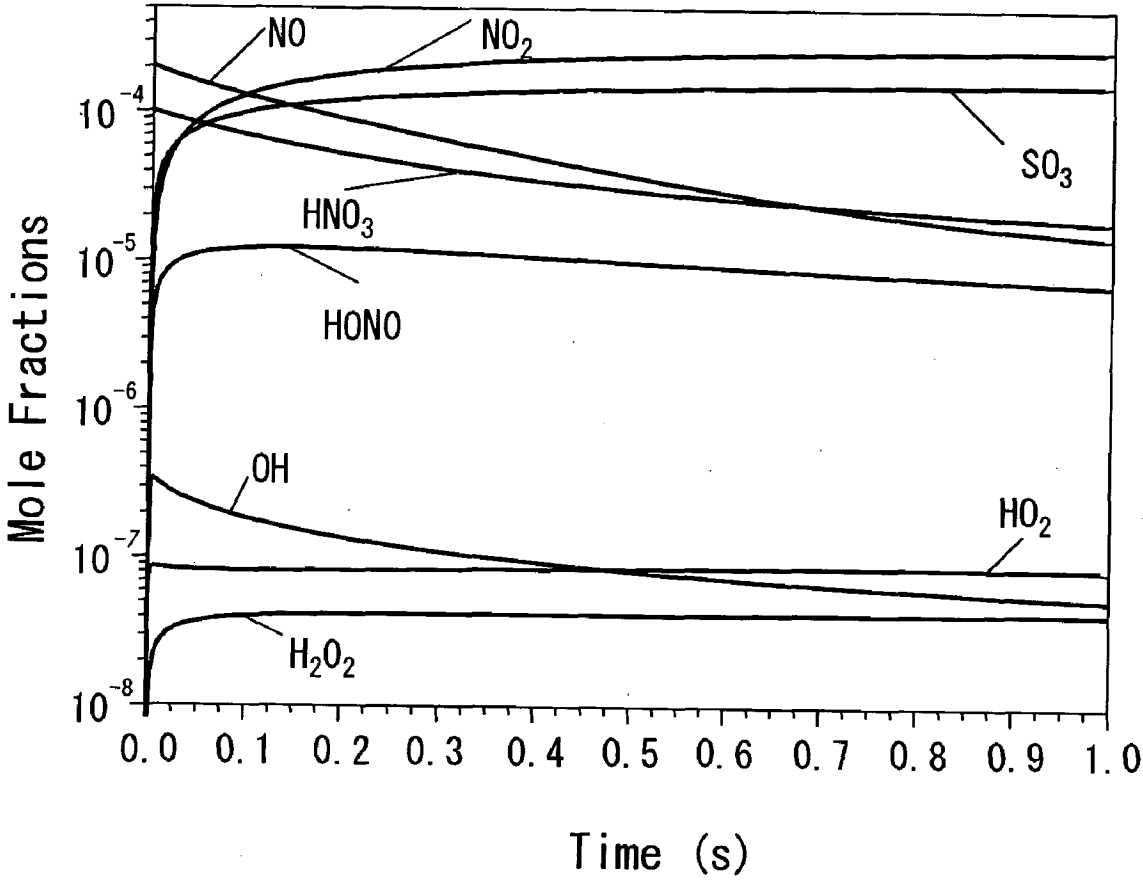


FIG. 7

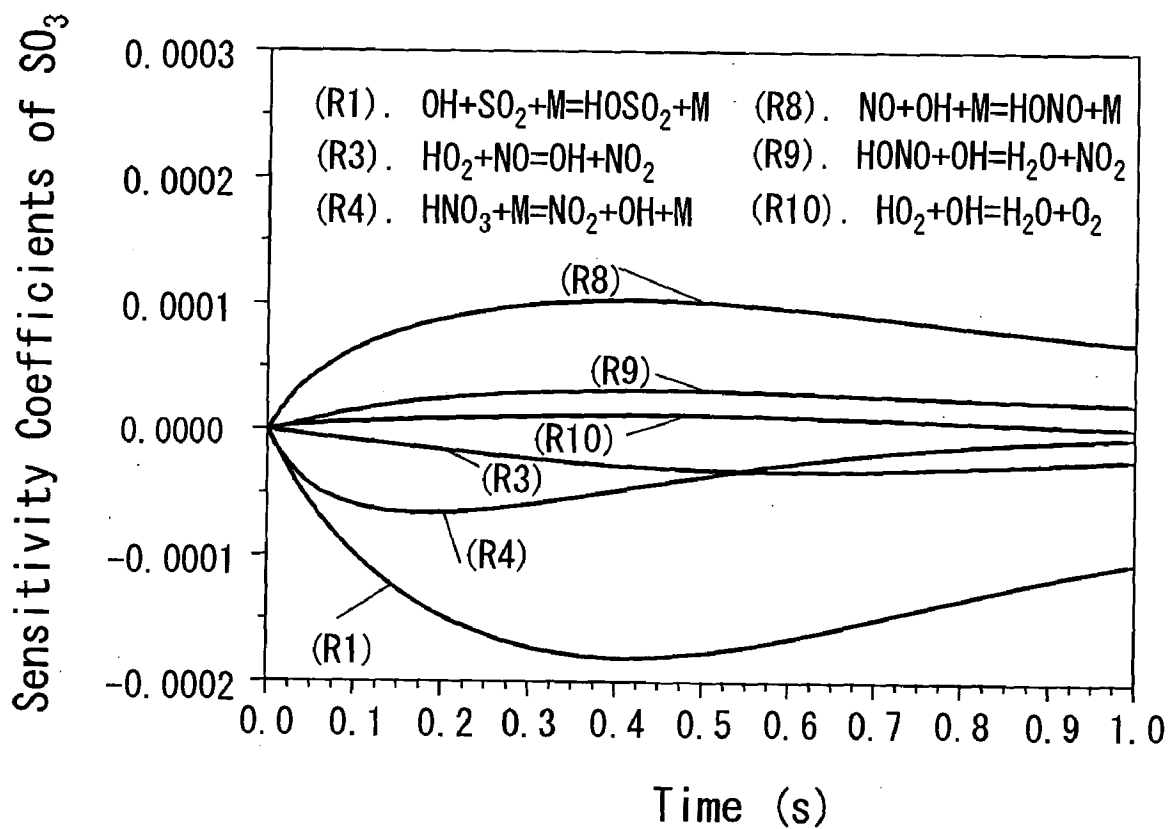


FIG. 8

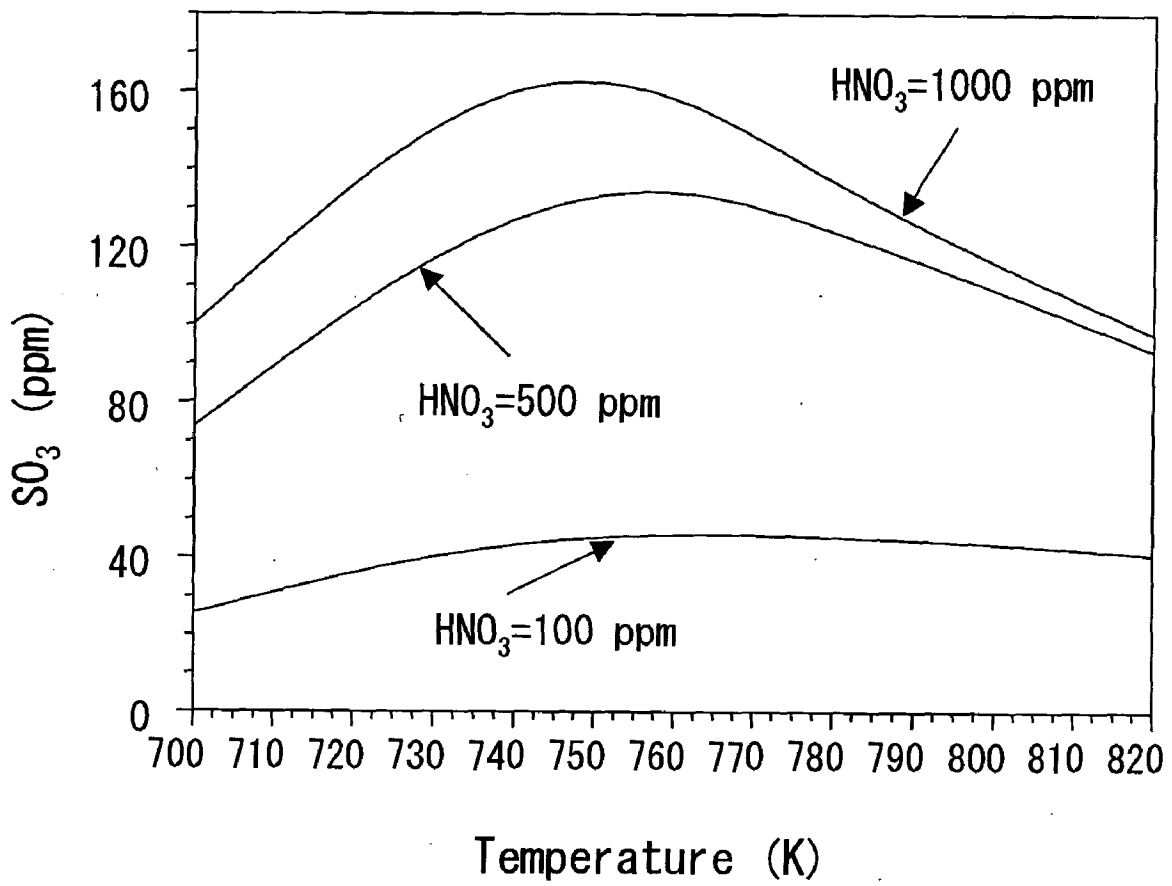


FIG. 9

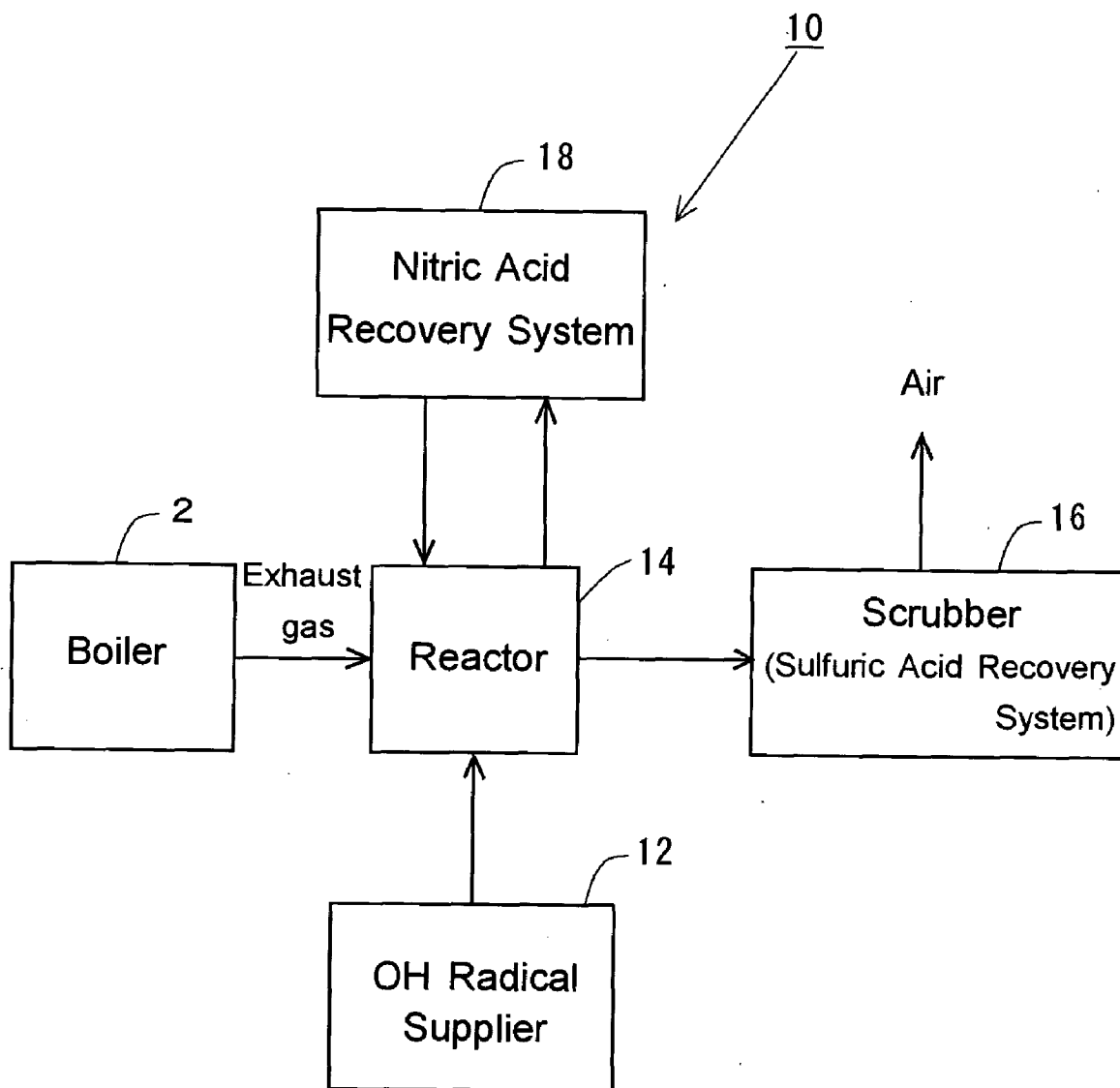


FIG. 10

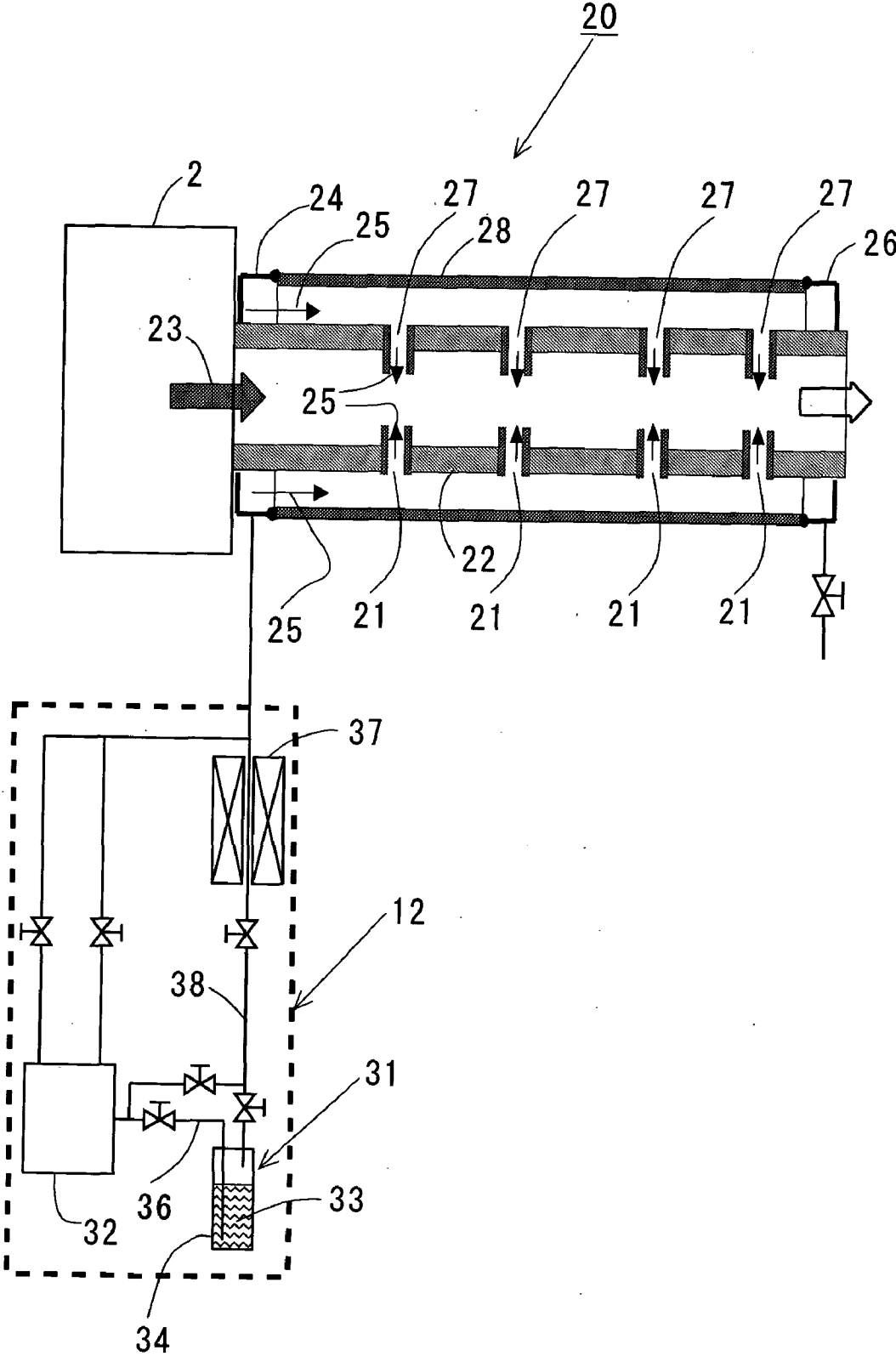


FIG. 11

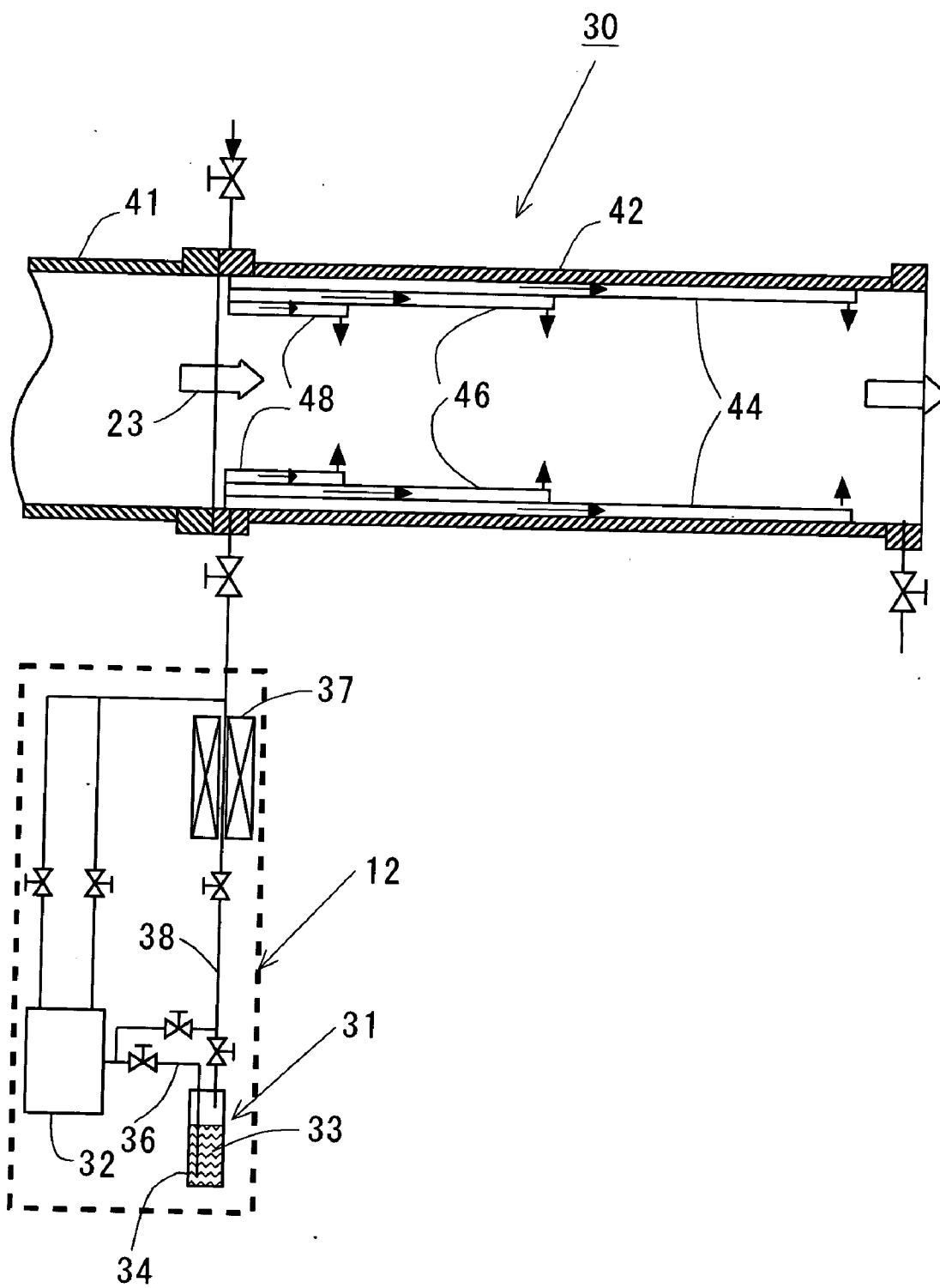
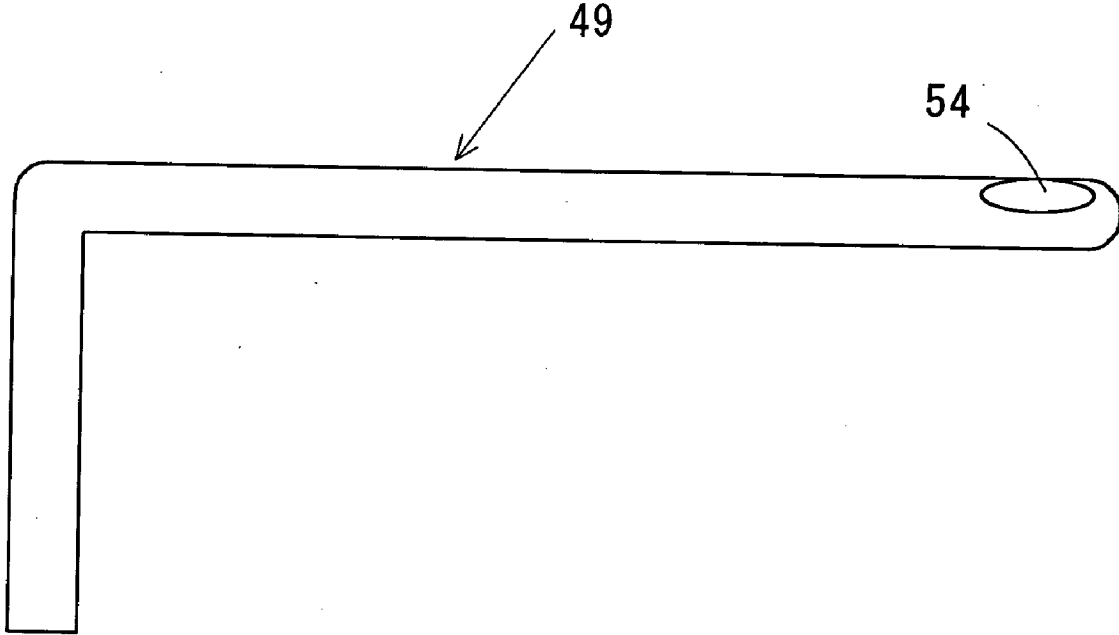
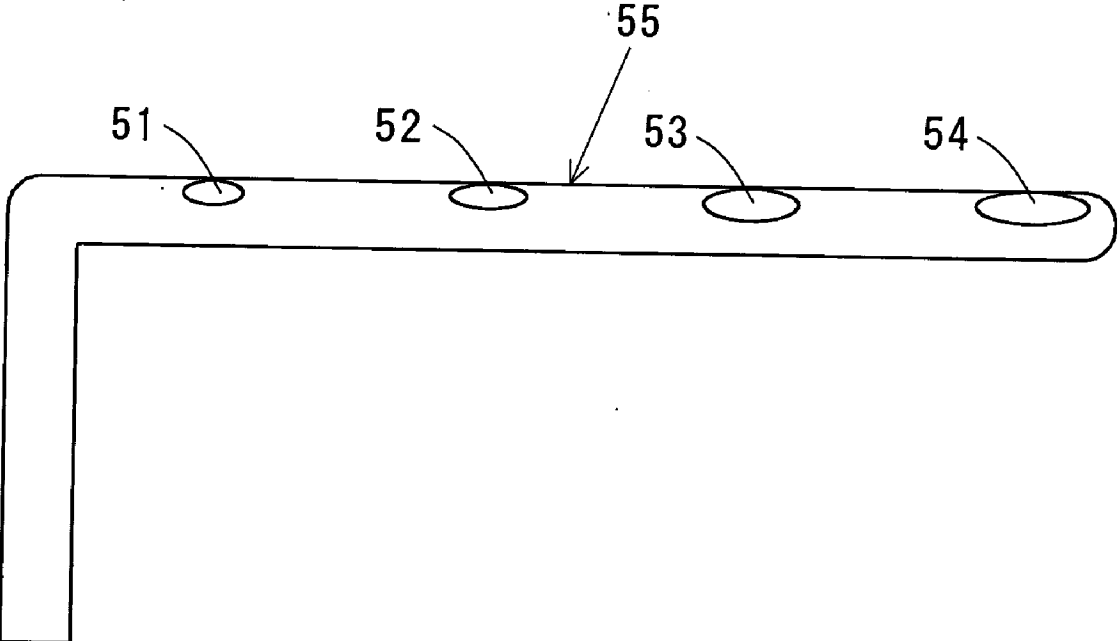


FIG. 12



(a)



(b)

FIG. 13

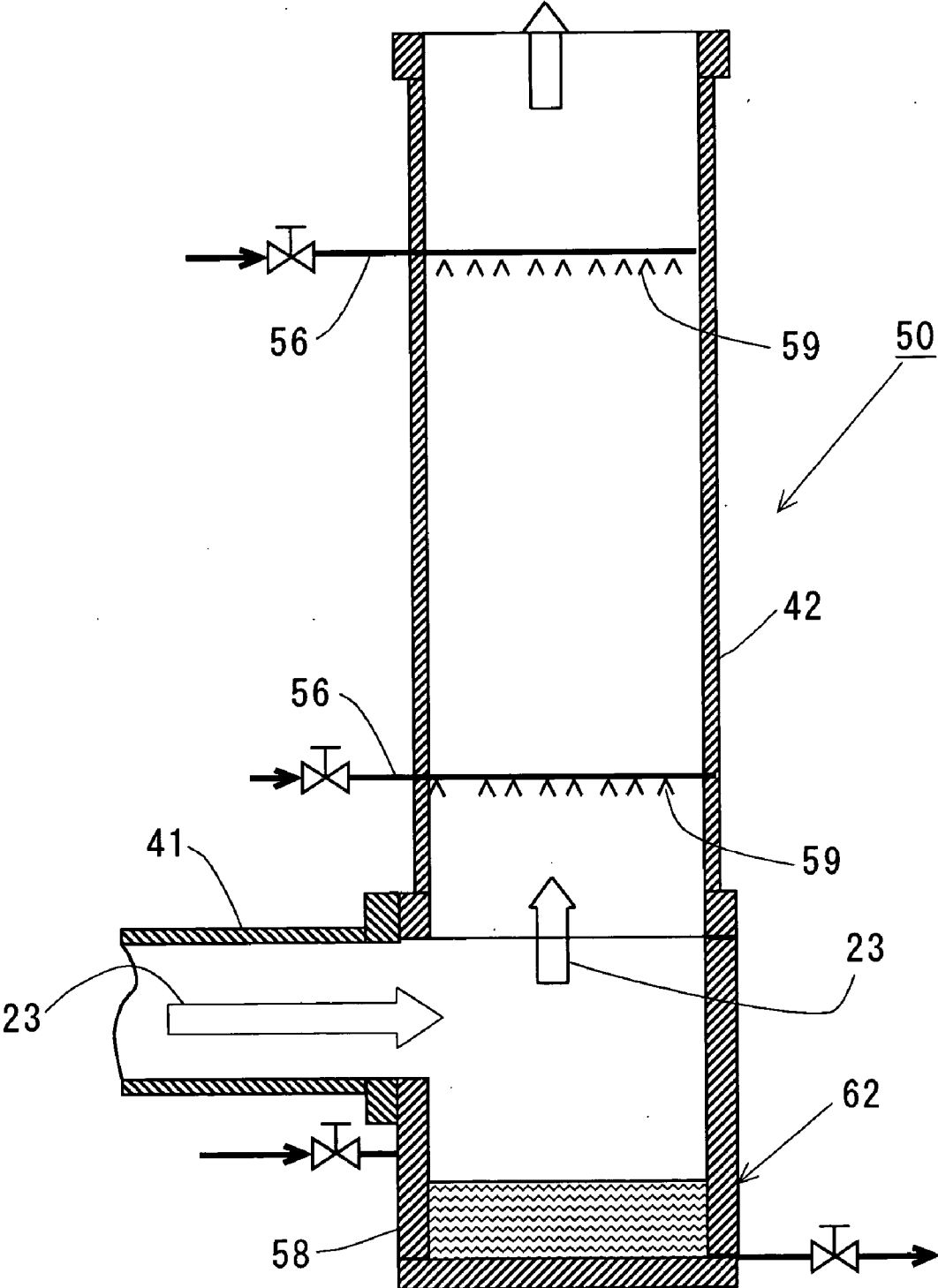


FIG. 14

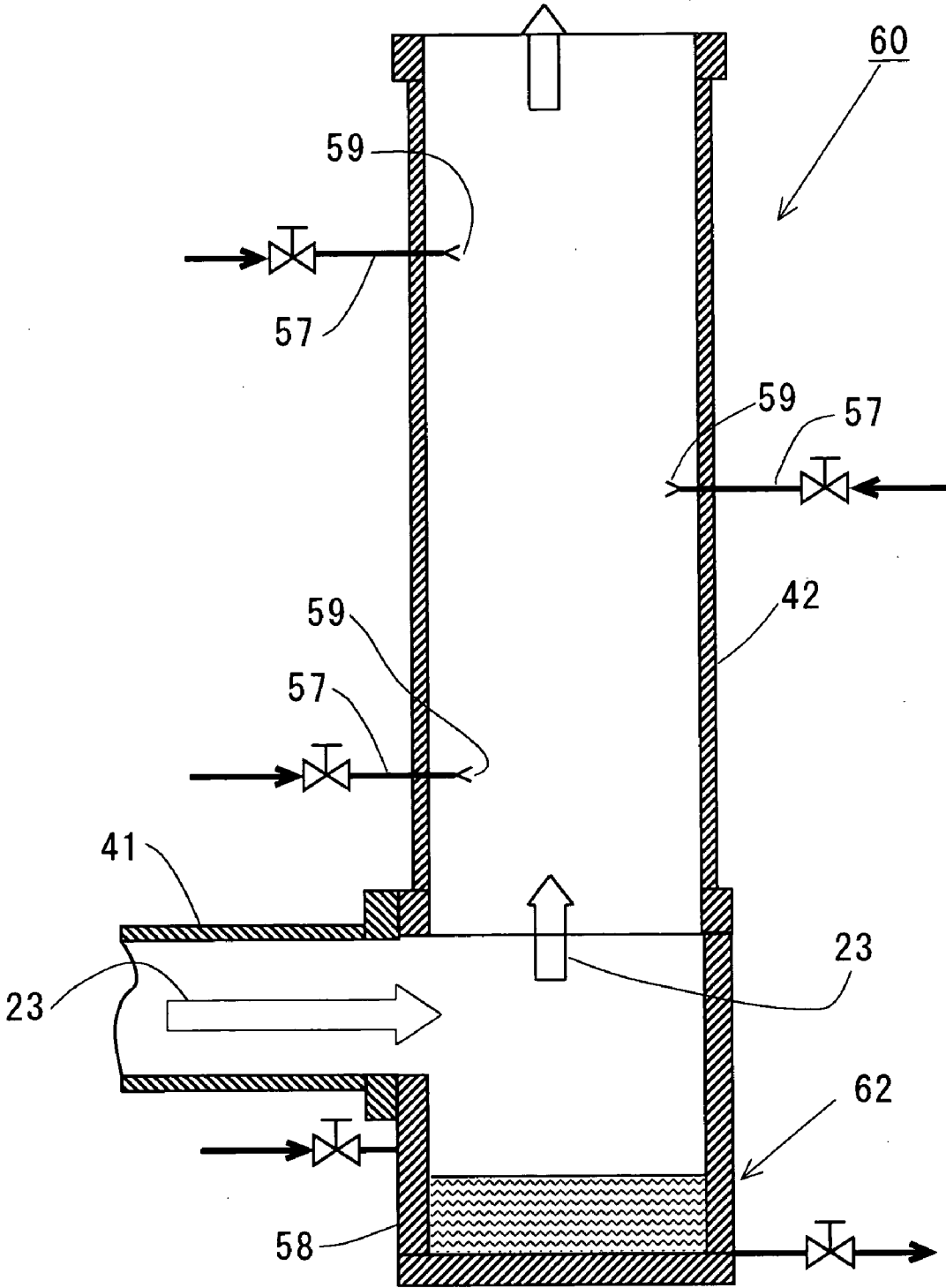


FIG. 15

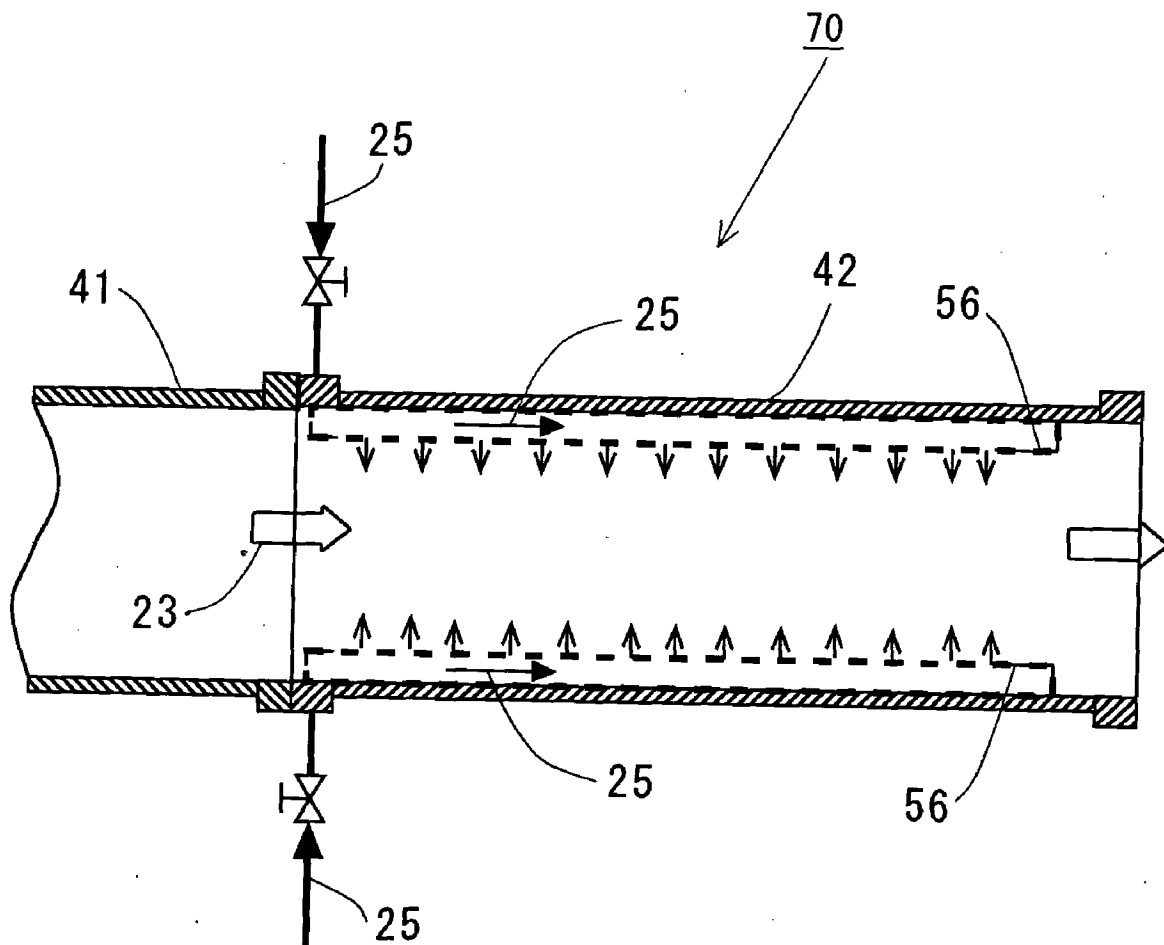
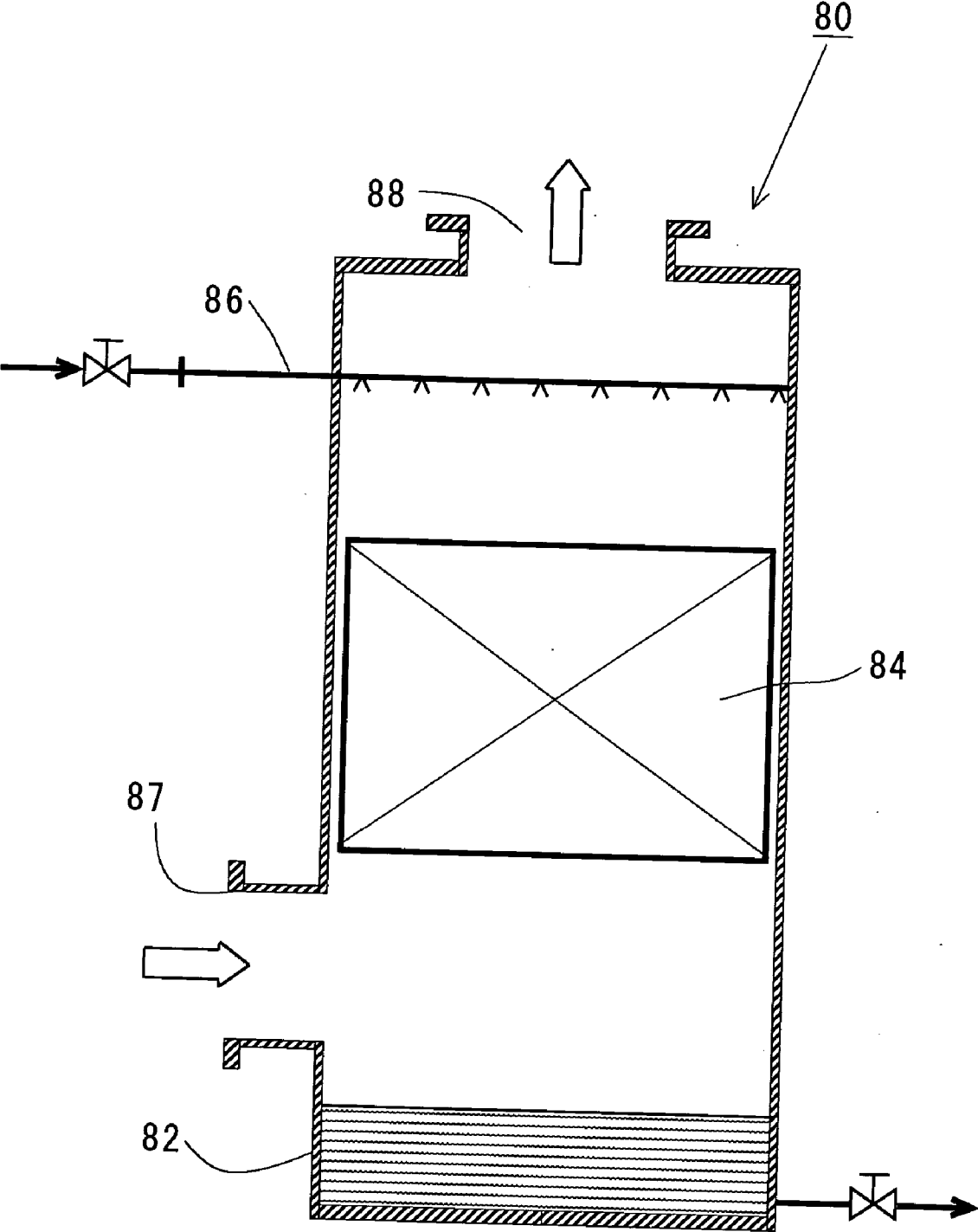


FIG. 16



APPARATUS FOR SIMULTANEOUS DRY DESULFURIZATION/DENITRIFICATION

TECHNICAL FIELD

[0001] The present invention relates to the apparatus for simultaneous dry desulfurization and denitration to induce chain reaction using OH radicals, thereby to simultaneously oxidize nitrogen monoxide and sulfur dioxide, which is utilized for removal of such atmospheric contaminants as nitrogen and sulfur compounds contained in exhaust gas.

BACKGROUND ART

[0002] Fossil fuels such as coal contains sulfur compounds as impurities, and most of sulfur content is exhausted as sulfur dioxide upon combustion under excess of oxygen. Sulfur dioxide contained in exhaust gas is generally removed by wet process using a scrubber to contact exhaust gas with the mist of absorbent and absorb and remove sulfur dioxide (Refer, for example, to the Japanese laid open Patent Application (JP H10-202049-A)).

[0003] A dry exhaust gas treating method is also known which oxidizes sulfur dioxide gas by passing sulfur dioxide in exhaust gas through pulsed corona discharge region, and removes it by adsorbing on fine powder of calcium oxide or others as an adsorbent (Refer, for example, to the Japanese laid open Patent Application (JP H05-228330-A)). Further, the art to convert sulfur dioxide gas to sulfur trioxide gas with vanadium pentoxide (V_2O_5) as an oxidizing catalyst was disclosed in the Japanese laid open Patent Application (JP 2001-11041-A).

[0004] However, by the exhaust gas treating method of wet process, big plant investment is required, and an apparatus itself is large-sized due to required large amount of water, and therefore, it is not easily utilized where water resource is scant. Also by the exhaust gas treating method of dry process, high cost is required due to the use of additives and oxidative catalysts.

DISCLOSURE OF THE INVENTION

[0005] The object of the present invention is to solve such problems, and to offer an apparatus for simultaneous dry desulfurization and denitration of high efficiency and low cost, capable of treating exhaust gas by dry process without catalysts or others, and of simultaneous oxidation of nitrogen monoxide and sulfur dioxide by chain reaction using OH radicals.

[0006] In order to achieve the above-mentioned object, an apparatus for simultaneous dry desulfurization and denitration of the present invention is characterized in that, in a dry exhaust gas treating apparatus to treat exhaust gas of high temperature, it is comprised of a reactor and an OH radical supplier, and treats exhaust gas by supplying either OH radicals or OH radical initiators to the reactor into which exhaust gas is introduced, and by oxidizing either sulfur or nitrogen compounds in exhaust gas, or both of them simultaneously.

[0007] In addition to the above-mentioned makeup, the reactor may be provided with an inner and an outer tubes coaxially spaced, and a radical supplying inlet to supply either OH radicals or OH radical initiators to an inner tube. In the inner tube, there may be radical supplying inlets

provided in plurality at the pre-designed interval, capable of multi-step blow-in. The reactor is preferably provided with injectors to supply OH radicals and OH radical initiators. It is advantageous if said injectors are provided in plurality with different lengths capable of multi-step blow-in. The reactor may also be provided with either a shower pipe or a spray nozzle, or both, to supply either OH radicals or OH radical initiators. Said reactor may be either horizontal or vertical type. The OH radical supplier may preferably have a radical generation source and a gas supplying system. The OH radical initiator is preferably nitric acid. OH radicals are generated by pyrolysis of nitric acid.

[0008] According to said aspect, the sulfur compound in exhaust gas is sulfur dioxide, the nitrogen compound is nitrogen monoxide, and sulfur dioxide and nitrogen monoxide can be simultaneously oxidized with either OH radicals or OH radicals generated from OH radical initiators as the initiator. In this case, the oxides generated from simultaneous oxidation are sulfur trioxide and nitrogen dioxide.

[0009] The apparatus for simultaneous dry desulfurization and denitration of such aspect induces chain reaction with supplied OH radicals as the initiator, simultaneously oxidizes sulfur dioxide and nitrogen monoxide to sulfur trioxide and nitrogen dioxide, and exhausts them. Therefore, the apparatus for simultaneous dry desulfurization and denitration of the present invention is capable of exhaust gas treating in dry process without using catalysts and others at high efficiency and low cost.

[0010] Further, the apparatus for simultaneous dry desulfurization and denitration of the above-mentioned aspect is preferably provided with a sulfuric acid recovery apparatus to recover sulfur trioxide formed by oxidation process of exhaust gas as either sulfuric acid or gypsum, or both. Also, the above-mentioned apparatus for simultaneous dry desulfurization and denitration is preferably provided with a nitric acid recovery apparatus to recover nitrogen dioxide formed by oxidation process of exhaust gas as nitric acid. It may also be provided with a nitric acid recovery apparatus to recover OH radical suppliers as nitric acid. The recovered nitric acid may be reused by recycling as OH radical suppliers.

[0011] Since the apparatus for simultaneous dry desulfurization and denitration of such aspect recovers sulfuric acid from sulfur trioxide formed by oxidative treating of exhaust gas, sulfuric acid or gypsum can be recovered efficiently. Nitrogen dioxide formed by oxidative treating of exhaust gas can also be recovered as nitric acid, and further, in case that nitric acid is supplied as an OH radical supplier, nitric acid can be recovered and recycled, thereby reused as an OH radical supplier.

BRIEF DESCRIPTION OF THE DRAWINGS

[0012] The present invention will better be understood from the following detailed description and the drawings attached hereto showing certain illustrative forms of embodiment of the present invention. In this connection, it should be noted that such forms of embodiment illustrated in the accompanying drawings hereof are intended in no way to specify or to limit the present invention but to facilitate an explanation and an understanding thereof. In the drawings,

[0013] FIG. 1 is a graph showing the calculation result of temperature dependency of SO_3 generation concentration on the added amount of NO with HNO_3 kept constant;

[0014] FIG. 2 is a table showing the rate constants of added elementary reactions;

[0015] FIG. 3 is a graph showing the calculated values of mole fraction of sulfur compounds between 400 and 1000K;

[0016] FIG. 4 is a graph showing the calculation result of SO₃ generation dependency on NO addition concentration at T=750K;

[0017] FIG. 5 is a graph showing the calculation result of SO₃ generation rate dependency on HNO₃ addition concentration at T=750K;

[0018] FIG. 6 is a graph showing the calculation result of the change with time of various chemical species in oxidation reaction of SO₂ and NO of FIG. 4;

[0019] FIG. 7 is a graph showing the calculation result of sensitivity coefficients of major elementary reactions to SO₃ concentration under the calculation conditions of FIG. 6;

[0020] FIG. 8 is a graph showing the calculation result of the temperature dependency of SO₃ generation concentration on the amount of added HNO₃;

[0021] FIG. 9 is a drawing showing the system makeup of an apparatus for simultaneous dry desulfurization and denitration in accordance with the present invention;

[0022] FIG. 10 is a partial outline of a cross sectional view of a reactor and an OH radical supplier in accordance with a suitable embodiment;

[0023] FIG. 11 is a partial outline of a cross sectional view of a reactor and an OH radical supplier in accordance with another suitable embodiment;

[0024] FIG. 12 is an external view showing an example of an injector;

[0025] FIG. 13 is a cross sectional view showing an outline of a reactor provided with a shower pipe;

[0026] FIG. 14 is a cross sectional view showing an outline of a vertical reactor provided with a spray nozzle;

[0027] FIG. 15 is a cross sectional view showing an outline of a horizontal reactor provided with a shower pipe; and

[0028] FIG. 16 is a cross sectional view showing an outline of a scrubber.

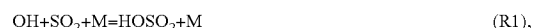
BEST MODES FOR CARRYING OUT THE INVENTION

[0029] Hereinafter, the suitable embodiments in accordance with the present invention will be described in detail with reference to FIGS. 1-16, using the same symbol for practically identical or corresponding parts.

[0030] First, the dry process of simultaneous desulfurization and denitration is explained as the principle of an apparatus for simultaneous dry desulfurization and denitration of the present invention. As the result of the present inventors' research on the desulfurization and denitration method capable of easily oxidizing SO₂ and NO without catalyst, efficient chemical reactions were discovered for the first time by various studies and calculations to oxidize sulfur dioxide (SO₂) and nitrogen monoxide (NO) contained in exhaust gas from various combustion ovens by gas phase

chain reaction to sulfur trioxide (SO₃) and nitrogen dioxide (NO₂), using OH or OH radicals (Mitsuo Koshi, et al, "Chemical Kinetics of Homogeneous Oxidation of SO₂ in Flue Gases", CREST International Symposium on ADVANCED DESOX PROCESS, Japan Science and Technology Corporation, Dec. 6, 2002, pp. 169-180).

[0031] The oxidation of SO₂ and NO in exhaust gas from various combustion ovens, that is, the desulfurization and denitration method used for the present invention is so made up that chain reactions proceed as the chemical equations shown below.



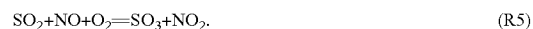
[0032] SO₂ and NO in exhaust gas are at left-hand sides of the chemical reaction equations (R1) and (R3). Here, O₂ is oxygen gas contained in exhaust gas. M is the gas not involved in reactions, for example, N₂, and CO₂ and H₂ or the like added together with N₂.

[0033] The above-mentioned chemical reaction is explained here. As shown in chemical reaction equation (R4), OH is formed from HNO₃. OH is the high temperature radical state in exhaust gas. If OH is supplied to chemical reaction in equation (R1), OH, SO₂, and M react to form HOSO₂+M.

[0034] HOSO₂ formed here reacts with O₂ in exhaust gas to form HO₂ and SO₃ (Refer to chemical reaction equation (R2)). In this case, since O₂ concentration in exhaust gas is much higher than any other radical species, the reaction rate of (R2) is higher than the reactions of other HOSO₂ with radical species, like OH+HOSO₂, O+HOSO₂, or H+HOSO₂.

[0035] Next, HO₂ formed by chemical reaction equation (R2) reacts with NO to form HO and NO₂ (Refer to chemical reaction equation (R3)). Thus, with added OH, chain reactions are established.

[0036] From these, the sum up of chemical reaction equations (R1)-(R3) becomes to be,



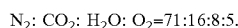
It is thus seen that SO₂, NO, and O₂ in exhaust gas react and they are oxidized to SO₃ and NO₂.

[0037] Thereby, SO₂ and NO in exhaust gas containing O₂ can be oxidized, as shown in chemical reaction equation (R4), to SO₃ and NO₂ by chain reaction with OH or OH radicals formed from HNO₃ pyrolysis. Consequently, since the vapor pressure and pyrolysis rate of HNO₃ are higher than those of H₂O₂, and its handling is also easier than H₂O₂, SO₂ and NO in exhaust gas containing O₂ can be oxidized with low cost.

[0038] The simulation result of SO₂ and NO oxidation by the above-mentioned chemical reaction equations is explained next. Said simulation was conducted by calculating the above-mentioned chemical reaction equations (R1)-(R4) by reaction mechanism of SO_x proposed by Mueller et al, and by adding some more elementary reactions involving HNO₃ and NO₃ (Refer to M. A. Mueller, R. A. Yetter, and F. L. Dryer, Int. J. Chem. Kinet., 32, 317 (2000)).

[0039] First, the dependency of added NO quantity upon HNO₃ addition to SO₂ in exhaust gas is explained. FIG. 1 is a graph showing the calculation result of temperature dependency of SO₃ generation concentration on the added amount of NO with HNO₃ kept constant. In the figure, the abscissa is temperature (K), and the ordinate is SO₃ concentration (ppm).

[0040] The calculation condition here is the hypothesis that the reaction proceeds in adiabatic state, and that the reaction time is one second. In this case, SO₂ concentration in exhaust gas is 2000 ppm, and HNO₃ concentration is 1000 ppm. M consists of N₂, CO₂, and H₂O, and the total pressure including O₂ in exhaust gas is 1 atm, since those of SO₂ and HNO₃ are negligible because their concentrations are trivial, and their ratio (%) is



[0041] FIG. 2 is a table showing the rate constants of added elementary reactions. Added elementary reactions are, for example, the chemical reaction equations shown below inhibiting chemical reaction equation (R4).



[0042] In FIG. 1, it is seen that the reaction from SO₂ to SO₃ proceeds at NO=0 ppm, but its rate remarkably increases by NO addition. In case that NO concentration is 50 ppm, the conversion from SO₂ to SO₃ (hereinafter called as SO₃ conversion) is maximum around T=750 K, that is, about 4%. In case of NO concentration 200 ppm, SO₃ conversion is maximum between T=750-770K, that is, about 6.3%. Further in case that NO concentration is increased to 400 ppm, SO₃ conversion is lowered than at 200 ppm, and it gradually increases from 1.5% to 4.3% at T=700-820K. It is seen from these observations that SO₃ conversion is improved by NO addition together with SO₂ into exhaust gas, and that optimum NO concentration exists for it.

[0043] In FIG. 1, the reason for maximum conversion to SO₃ at around 750K except for 400 ppm of HNO₃ concentration is explained.

[0044] FIG. 3 is a graph showing the calculated values of mole fraction of sulfur compounds between 400 and 1000K. Its ordinate is mole fraction of sulfur compounds, and abscissa is temperature (K). It is seen from this that SO₃ is more stable than H₂SO₄ and SO₂ at 600-850K, and especially, its mole fraction reaches the maximum value at 650-800K. Therefore, it is conceivable that SO₂ is easily oxidized at 650-800K.

[0045] FIG. 4 is a graph showing the calculation result of SO₃ generation dependency on NO addition concentration at T=750K. In the figure, its ordinate is SO₃ concentration, and abscissa is NO concentration (ppm). The condition is same as in FIG. 1 except that HNO₃ concentration is 100 ppm. It is seen that SO₃ conversion increases till NO concentration of about 200 ppm, and decreases with NO concentration above that.

[0046] SO₃ conversion dependency on HNO₃ concentration with addition of NO 200 ppm into exhaust gas is shown next. FIG. 5 is a graph showing the calculation result of SO₃ generation rate dependency on HNO₃ addition concentration at T=750K. In the figure, its ordinate is SO₃ concentration, and abscissa is HNO₃ concentration (ppm). The condition is

same as in FIG. 1 except that SO₂ concentration is 1000 ppm, and NO concentration is 200 ppm. It is seen that SO₃ conversion is about 15, 16, and 17%, respectively, with HNO₃ concentration 200, 300, and 400 ppm. SO₃ generation increases with the increase of HNO₃ concentration till HNO₃ concentration of about 100 ppm. In case that HNO₃ concentration is higher than about 200 ppm, SO₃ conversion tends to saturate with respect to HNO₃ concentration. Said conversion is seen to increase remarkably in comparison with the case of no NO addition shown in FIG. 1. In this case, NO conversion to NO₂ (hereinafter, to be called NO₂ conversion) is 80 to 90%.

[0047] FIG. 6 is a graph showing the calculation result of the change with time of various chemical species in oxidation reaction of SO₂ and NO of FIG. 5. In the figure, its ordinate is mole fraction, and abscissa is time (second). The condition is same as in FIG. 1 except that temperature is 750K, NO concentration is 200 ppm, and SO₂ concentration is 1000 ppm. It is seen from the figure that SO₂ and NO are oxidized by HNO₃ pyrolysis to form about 0.2 second. It is also seen from this that main oxidation products are SO₃ and NO₂, and NO is scarcely formed, and added NO is almost completely oxidized to NO₂.

[0048] FIG. 7 is a graph showing the calculation result of sensitivity coefficients of major elementary reactions to SO₃ concentration under the calculation conditions of FIG. 6. The initial conditions are same as in FIG. 6. In the figure, its ordinate is the sensitivity coefficients of major elementary reactions to generate SO₃, and abscissa is time (second). The sensitivity coefficient S_{ij} of an elementary reaction i for a chemical species j is given as S_{ij}=θC_j/θk_i, where C_j is the concentration of a chemical species j, and k_i is a rate constant of an elementary reaction i. It is seen from FIG. 7 that the most important reactions for SO₃ generation are chemical reaction equations (R1), (R3), and (R4) (Refer to (R1), (R3), and (R4) in FIG. 7).

[0049] On the other hand, chemical reaction equations (R8) and (R9) written below are competitive chain reactions taking place with chemical reaction equation (R1) of OH generated from HNO₃ pyrolysis, and are the chemical reactions to hinder SO₃ generation (Refer to (R8) and (R9) in FIG. 7).



[0050] Also, the chemical reaction equation (R10) written below is a chain termination reaction inducing radicals not generated, with OH generated from HNO₃ pyrolysis reacting to form H₂O and O₂, and this reaction, too, acts in the direction of terminating SO₃ generation (Refer to (R10) in FIG. 7).



[0051] Next is explained for comparison HNO₃ addition effect under the condition only with SO₂ without NO addition into exhaust gas. FIG. 8 is a graph showing the calculation result of the temperature dependency of SO₃ generation concentration on the amount of added HNO₃. In the figure, its abscissa is temperature (K), and ordinate is SO₃ concentration (ppm). Here, the condition is same as in FIG. 1 except that SO₂ concentration in exhaust gas is 2000 ppm, and HNO₃ concentration is changed to 100, 500, and 1000 ppm. SO₃ conversion increases with HNO₃ concentra-

tion increase, and reaches 2%, which is maximum, at about T=750K in case of 100 ppm HNO₃ addition. Next, SO₃ conversion reaches 6.5%, which is maximum, at about T=760K in case of 500 ppm as HNO₃ concentration. Further, in case of 1000 ppm as HNO₃ concentration, SO₃ conversion is seen to reach 8% as maximum at about T=750K.

[0052] Thus, SO₂ oxidation reaction has low efficiency with HNO₃ only without NO addition into exhaust gas. This is assumed as because most of OH generated from HNO₃ pyrolysis reacts with HNO₃ and NO₃, thereby the chain reaction does not function (Refer to chemical reaction equations (R6) and (R7)).

[0053] As explained heretofore, the desulfurization and denitration method of SO₂ and NO in exhaust gas used in the present invention can oxidize SO₂ and NO in exhaust gas containing oxygen simultaneously to SO₃ and NO₂, by inducing chain reaction with the addition of OH radicals at relatively low temperature of 600-800K. In this case, in order to initiate chain reaction, it is necessary to generate chemical species OH or HO₂ as chain carriers. HNO₃ is preferable as a radical initiator for said radical generation.

[0054] In a typical case that exhaust gas temperature is 750° C, SO₃ conversion increases when HNO₃ conversion is increased. NO₂ conversion shows the tendency to decrease when HNO₃ concentration is over 100 ppm, but if SO₂ in exhaust gas is about 1000 ppm, almost 20% of SO₂ can be converted to SO₃ by addition of 1000 ppm of HNO₃. In this case, NO₂ conversion can be 80 to 90%, about four times as high as SO₃ conversion.

[0055] Next, the apparatus for simultaneous dry desulfurization and denitration of the present invention using the desulfurization and denitration method described above is explained.

[0056] FIG. 9 is a drawing showing the system structure of a dry process apparatus for simultaneous desulfurization and denitration in accordance with the present invention. Referring to FIG. 9, an apparatus for simultaneous dry desulfurization and denitration 10 in accordance with an embodiment of the present invention is comprised of an OH radical supplier 12, a reactor 14, a sulfuric acid recovery system 16, and a nitric acid recovery system 18, and the exhaust gas from a boiler 2 or others is introduced into the reactor 14. The apparatus for simultaneous dry desulfurization and denitration 10 in accordance with the present invention may be provided to a flue gas duct as a path of exhaust gas from various combustion apparatuses.

[0057] FIG. 10 is an outline of a reactor and an OH radical supplier in accordance with a suitable embodiment. Referring to FIG. 10, a reactor 20 is comprised of an inner tube 22 to introduce exhaust gas 23 at 600-800° C. from the boiler 2, and an outer tube 28 which is provided with said inner tube coaxially inside, and forming a closed space together with manifolds 24 and 26 at both ends. Said inner tube is provided at preferable positions with radical supplying inlets 21 and 27 in the direction of exhaust gas introduction, that is, at symmetrical positions with respect to coaxial direction. As shown in FIG. 10, exhaust gas 23 is supplied from one end of the inner tube 22, SO₂ and NO contained in said exhaust gas 23 are simultaneously oxidized, and are exhausted from the other end.

[0058] The space between the inner tube 22 and the outer tube 28 is an introducing line of OH radicals or OH radical

initiators. The inner tube 22 is provided with radical supplying inlets 21 and 27 at four steps, but it may be at one step depending on the scale of exhaust gas treating, or may be appropriately at many steps. Here, the arrow 25 in FIG. 10 shows the flow of OH radicals or OH initiators.

[0059] Here, multi-step reaction may be designed to proceed by further separating the inner tube 22 with partition walls for each radical supplying inlet 21 and 27, and blowing in OH radicals or OH radical initiators at multi-steps in the direction from exhaust gas 23 introducing side to exhaust side. Since thereby SO₂ and NO are treated at each step, the conversions of SO₃ and NO₂ can be made almost 100%.

[0060] As is shown in FIG. 10, the OH radical supplier 12 is provided with a gas supplier 32 for N₂, O₂, and NO, and with an OH radical initiating source 31. And the gas supplier 32 is provided with by mass flow meters and valves not shown in the figure and is controlled by the computer to supply gases according to the pre-set flow rates and reaction processes.

[0061] Here, in order to oxidize SO₂ in exhaust gas efficiently to SO₃, it is important to properly adjust NO concentration. Therefore, it is preferable to have NO controllable to 0 to about 200 ppm in said gas supplying system.

[0062] The OH radical supplier 12 is provided with a tank 34 filled with an OH radical initiator 33, HNO₃ here, a carrier gas supply line 36 to carry said HNO₃ 33 as vapor, and an OH radical initiator supply line 38. HNO₃ may be either 100% or aqueous solution of pre-designed ratio.

[0063] Here, exhaust gas is 600-800° C., and in such temperature region, HNO₃ as a radical initiator is pyrolyzed to generate OH radicals, but for the case that the temperature of exhaust gas is low or the like, an electric furnace 37 may be provided before inlet into the manifold 24, thereby radical initiators are surely pyrolyzed to supply OH radicals. The tank 34 is also preferably temperature controllable, though depending on its scale.

[0064] The function of the apparatus for simultaneous dry desulfurization and denitration in accordance with a suitable embodiment of the present invention is explained next. Referring to FIG. 10, 100% HNO₃ is held at the pre-designed temperature, its vapor pressure is controlled based on a pressure sensor not shown here, N₂ is bubbled from the gas supplying system 32, and HNO₃ vapor is introduced with carrier gas from the tank 34 through the manifold 24. When the exhaust gas 23 of 600-800° C. is introduced, SO₂ and NO in the exhaust gas 23 are simultaneously oxidized with OH radicals as an initiator generated by pyrolysis of HNO₃, SO₃ and NO₂ are formed, and exhausted from the reactor 20. Here, if SO₂ concentration in exhaust gas is, for example, 1000 ppm, HNO₃ is also introduced at the similar concentration of 1000 ppm. Thus, in the present embodiment, simultaneous desulfurization and denitration can be realized only by supplying OH radicals or OH radical initiators into the exhaust gas of high temperature.

[0065] FIG. 11 is a reactor in accordance with another embodiment. Referring to FIG. 11, a reactor 30 is comprised of an outer tube 42 set coaxially and closely with an exhaust gas introducing line 41, and injectors 44, 46, and 48 set at proper length and position, and said injectors 44, 46, and 48 are supplied with OH radicals or an OH radical initiators from the OH radical supplier 12.

[0066] FIG. 12 is an external view showing an example of an injector. The injector 49 shown in FIG. 12(a) is provided with a single blowout hole 54 at a tip side, and an injector 55 shown in FIG. 12(b) is provided with blowout holes 51, 52, 53, and 54 at proper positions, and the sizes of blowout holes are appropriately varied with the conductances of injectors taken into consideration. Here, in the example shown in FIG. 12, the blowout holes are set at one side of the injector, but they may be set at both sides. Such the injector is set at the center of the reactor, and supplies OH radicals or OH radical initiators.

[0067] In order to desulfurize and denitrate efficiently, it is necessary to determine the optimum length of the injector, and it has to be preferably determined depending upon the scale of the apparatus. Also, injectors may be pipes of stainless steel or quartz, but stainless steel is preferred, because of higher decrease ratio of NO and SO₂. In case to introduce OH radicals or an OH radical initiators with injectors, it is easy to adjust the positions of blowout holes of injectors in a reactor and the supply quantity so that efficient desulfurization and denitration are possible depending upon the scale of exhaust gas and exhaust gas treating apparatus.

[0068] The OH radical supplier 12 shown in FIG. 11 is to supply HNO₃ vapor or HNO₃ vapor and steam, but it may be an OH radical supplier to supply HNO₃ droplets. In this case, the injector is changed to spray nozzle, which introduces HNO₃ droplets into the reactor.

[0069] FIG. 13 is an outline of a reactor in which HNO₃ droplets are sprayed. Referring to FIG. 13, the reactor 50 has an outer tube 42 set in the direction vertical to the exhaust gas introducing line 41, a HNO₃ recovery apparatus 62 is provided at the exhaust gas introducing inlet side of said outer tube 42, and a recycling bath 58 of HNO₃ as an OH radical initiator is provided. Further, shower pipes 56 and 56 are provided at appropriate positions of the outer tube 42 of the reactor 50, and from said shower pipes 56 and 56, an OH radical initiator is supplied by spraying. Here, 59 in FIG. 13 illustrates the mist of OH radical initiators. When said supplied HNO₃ as an OH radical initiator is cooled and accumulated in a recycling bath 58, the OH radical initiator accumulated here is recycled to shower pipes 56 and 56 with a pump not shown here. In a reactor 60 shown in FIG. 14, an OH radical initiator is supplied with a spray nozzle 57 instead of the shower pipe 56 shown in FIG. 13, and 59 in FIG. 14 illustrates the mist of OH radical initiators.

[0070] FIG. 15 is of a horizontal type reactor 70, and shower pipes 56 and 56 are provided along an outer tube wall. The reactor described above may be either vertical or horizontal type.

[0071] When the exhaust gas of 600-800° C. is introduced into such a reactor, OH radicals supplied from the OH radical supplier or the OH radical generated from pyrolysis of an OH radical initiator acts as an initiator of the above-mentioned chain reaction to simultaneously oxidize SO₂ and NO in exhaust gas, and SO₃ and NO₂ are exhausted.

[0072] Next, a recovery apparatus of sulfuric acid and HNO₃ is explained.

[0073] FIG. 16 shows an example of a sulfuric acid recovery apparatus. The sulfuric acid recovery apparatus is a scrubber 80, provided with a bath 82, a packed tub 84, and

a shower pipe 86 to spray absorbent, and the cooled exhaust gas containing SO₃ gas is introduced from a gas inlet 87, and exhausted from a gas outlet 88. The absorbent is water in small quantity, and water and SO₃ gas contact in the packed tube 84 to form sulfuric acid to be stored and recovered in the bath 82. Thus, SO₃ can be recovered as sulfuric acid by scrubber with water as the absorbent. Since SO₃ can be easily converted to sulfuric acid even under extremely trace amount of water, it is useful as a byproduct. Also, sulfuric acid may be recovered as gypsum with calcium carbonate added and reacted with it.

[0074] The sprayed HNO₃ is recovered by the above-mentioned HNO₃ recovery apparatus. Or, after SO₃ is recovered by an electric dust collector, NO₂ may be absorbed by a scrubber to be recovered as HNO₃, supplied to the above-mentioned HNO₃ recovery apparatus and reused.

[0075] The present invention is by no way limited to the above-mentioned embodiments, but various modification is possible within the range of the invention described in Claims, and needless to say that it is also included in the present invention. For example, the reactor to blow in OH and OH radicals at multi-steps as explained in the above-mentioned embodiments may of course be properly designed, manufactured, and applied so as to be attached to various combustion apparatuses depending upon the flow rate of exhaust gas and SO₂ and NO gas concentrations to be desulfurized and denitrated.

INDUSTRIAL APPLICABILITY

[0076] As is explained above, since said apparatus for simultaneous dry desulfurization and denitration is such that the supplied OH radicals act as initiators to induce chain reaction, simultaneously oxidize SO₂ and NO in exhaust gas, and exhaust them as SO₃ and NO₂, it can treat exhaust gas by dry method without using catalyst or others, as well as has the effect of high efficiency and low cost.

[0077] Also, the apparatus for simultaneous dry desulfurization and denitration provided with either or both of a sulfuric acid or HNO₃ recovery apparatuses has the effect capable of recovery of oxidized SO₃ and NO₂ as sulfuric acid and HNO₃, and further an OH radical initiator as HNO₃, in case that HNO₃ is used as the OH radical initiator.

1. An apparatus for simultaneous dry desulfurization and denitration characterized in that,

the apparatus for dry exhaust gas treatment to treat exhaust gas of high temperature comprises:

a reactor into which said exhaust gas of high temperature is introduced; and

a supplier to introduce nitric acid into said reactor,

OH radicals are generated by said nitric acid being introduced into said exhaust gas of high temperature and pyrolyzed, and chain reactions are constituted by said OH radicals, and both of the sulfur dioxide (SO₂) and the nitrogen monoxide (NO) in exhaust gas are simultaneously oxidized for exhaust gas treatment.

2. The apparatus for simultaneous dry desulfurization and denitration as set forth in claim 1, characterized in that said reactor is provided coaxially with an inner and an outer tubes separated by a space, and said inner tube is provided with a

radical supplying inlet to supply nitric acid and OH radicals generated by pyrolysis of nitric acid.

3. The apparatus for simultaneous dry desulfurization and denitration as set forth in claim 2, characterized in that said inner tube is provided with said radical supplying inlets at multi-steps at pre-designed intervals, thereby capable of multi-step blowing-in.

4. The apparatus for simultaneous dry desulfurization and denitration as set forth in claim 1, characterized in that said reactor is provided with injectors to supply nitric acid and OH radicals generated by pyrolysis of nitric acid.

5. The apparatus for simultaneous dry desulfurization and denitration as set forth in claim 4, characterized in that said injectors are provided as a plurality with different lengths, thereby capable of multi-step blowing-in.

6. The apparatus for simultaneous dry desulfurization and denitration as set forth in claim 1, characterized in that said reactor is provided with a shower pipe and/or a spray nozzle to supply either nitric acid and OH radicals generated by pyrolysis of nitric acid.

7. The apparatus for simultaneous dry desulfurization and denitration as set forth in claim 1, characterized in that said reactor is either vertical or horizontal type.

8. The apparatus for simultaneous dry desulfurization and denitration as set forth in claim 1, characterized in that said supplier to introduce nitric acid is provided with nitric acid and a gas supplying system.

9. (canceled)

10. (canceled)

11. (canceled)

12. The apparatus for simultaneous dry desulfurization and denitration as set forth in claim 1, characterized in that said oxides generated from said simultaneous oxidation are sulfur trioxide and nitrogen dioxide.

13. The apparatus for simultaneous dry desulfurization and denitration as set forth in claim 1, characterized to be provided with a sulfuric acid recovery apparatus to recover sulfur trioxide generated from oxidation treating of exhaust gas as sulfuric acid and gypsum, or both.

14. The apparatus for simultaneous dry desulfurization and denitration as set forth in claim 1, characterized to be

provided with a nitric acid recovery apparatus to recover nitrogen dioxide generated from oxidation treating of exhaust gas as nitric acid.

15. The apparatus for simultaneous dry desulfurization and denitration as set forth in claim 1, characterized to be provided with a nitric acid recovery apparatus to recover nitric acid.

16. The apparatus for simultaneous dry desulfurization and denitration as set forth in claim 15, characterized in that said recovered nitric acid is reused by recycling.

17. A method for simultaneous dry desulfurization and denitration using an apparatus which comprises: a reactor into which an exhaust gas of high temperature is introduced; and a supplier to introduce nitric acid into said reactor, characterized in that,

OH radicals are generated by said nitric acid being introduced into said exhaust gas of high temperature and pyrolyzed, and chain reactions are constituted by said OH radicals, and both of the sulfur dioxide (SO₂) and the nitrogen monoxide (NO) in exhaust gas are simultaneously oxidized for exhaust gas treatment.

18. The method for simultaneous dry desulfurization and denitration as set forth in claim 17, characterized in that gas M which does not directly contribute to reactions is added into said exhaust gas.

19. The method for simultaneous dry desulfurization and denitration as set forth in claim 18, characterized in that the chain reaction in which said OH radicals are added into the exhaust gas is constituted as,



20. The method for simultaneous dry desulfurization and denitration as set forth in claim 17, characterized in that said reaction is conducted under the atmospheric pressure.

21. The method for simultaneous dry desulfurization and denitration as set forth in claim 17, characterized in that said reaction is conducted at a temperature of 650K to 800K.

* * * * *