

(19)



(11)

**EP 1 504 812 B1**

(12)

**EUROPEAN PATENT SPECIFICATION**

(45) Date of publication and mention of the grant of the patent:  
**01.01.2014 Bulletin 2014/01**

(51) Int Cl.:  
**B01J 19/06** <sup>(2006.01)</sup> **C12N 1/00** <sup>(2006.01)</sup>  
**C07H 21/00** <sup>(2006.01)</sup> **C07H 1/06** <sup>(2006.01)</sup>

(21) Application number: **03701085.7**

(86) International application number:  
**PCT/JP2003/000231**

(22) Date of filing: **14.01.2003**

(87) International publication number:  
**WO 2003/095088 (20.11.2003 Gazette 2003/47)**

**(54) METHOD AND APPARATUS FOR COLLECTING MICROMATERIAL**

VERFAHREN UND VORRICHTUNG ZUM SAMMELN VON MIKROMATERIAL

PROCEDE ET APPAREIL POUR LE PRELEVEMENT D'UN MICROMATERIAU

(84) Designated Contracting States:  
**CH DE FR GB LI NL SE**

- **ICHIKAWA, Akihiko**  
Syowa-ku, Nagoya-shi, Aichi 466-0853 (JP)
- **KATSURAGI, Tohoru**  
Sakai-shi, Osaka 590-0138 (JP)

(30) Priority: **07.05.2002 JP 2002131656**

(43) Date of publication of application:  
**09.02.2005 Bulletin 2005/06**

(74) Representative: **Wilson Gunn**  
**Blackfriars House**  
**The Parsonage**  
**5th Floor**  
**Manchester M3 2JA (GB)**

(73) Proprietor: **Japan Science and Technology Agency**  
**Kawaguchi-shi,**  
**Saitama 332-0012 (JP)**

(56) References cited:  
**WO-A-02/44823 WO-A2-01/07506**  
**JP-A- 6 273 382 JP-A- 6 343 451**  
**JP-A- 8 009 966 JP-A- 2003 102 465**

- (72) Inventors:
- **ARAI, Fumihito**  
Chikusa-ku, Aichi 464-0852 (JP)
  - **FUKUDA, Toshio**  
Showa-ku, Nagayo-shi, Aichi 466-0826 (JP)

- **Week 199510, Derwent Publications Ltd.,**  
London, GB; AN 1995-069293 & JP 6 343 451 A  
(KUBOTA S) 20 December 1994

**EP 1 504 812 B1**

Note: Within nine months of the publication of the mention of the grant of the European patent in the European Patent Bulletin, any person may give notice to the European Patent Office of opposition to that patent, in accordance with the Implementing Regulations. Notice of opposition shall not be deemed to have been filed until the opposition fee has been paid. (Art. 99(1) European Patent Convention).

**Description**Technical Field

**[0001]** The present invention relates to a method to recover a specific micromaterial from among numerous micromaterials and a device thereof, more specifically, to a method to recover specific micromaterials such as DNA molecules, cells, microorganisms and the like from among other micromaterials present.

Prior Art

**[0002]** The conventional methods to recover specific micromaterials such as DNA molecules, cells, microorganisms and the like from other micromaterials present includes the removal of a target material from Petri dishes using micropipettes while observing the material under an optical microscope and the use of cell sorters [Nihon Kikai Gakkai Ronbunshu, Vol 67, Edition c, pp. 146-153 (January 2001), Electrophoresis 2001, 22, 283-288]. However, the method using micropipettes requires skilled techniques select, sort and recover high purity micro samples microscopically, and also requires enormous time and expense to implement the practice. While the method using cell sorters proved to be effective on target materials that are several tens of microns in size but were difficult to apply to microorganisms several micrometers in size. Cell sorters also involved sequential separation work on samples lined up in a row and could not be used to quickly remove optionally selected targets from randomly dispersed samples.

**[0003]** The inventors has proposed a high throughput separation system utilizing a non-contact type manipulation wherein a separation is executed using a combination of laser traps, electrophoresis and microcapillary flow in a micro fluid circuit (Japanese Publication of Unexamined Patent Applications Hei 11-346756, Hei 11-210750, 2001-095558 and 2001-145478). However, microorganisms were transported using a direct laser trap, and the procedure was accompanied by the risk of microbial damage. An indirect transfer method was also proposed to avoid the damage wherein a microtool would be used to assist a laser trap by pushing or pulling microorganisms. However, complicated operations presented problems in actual applications.

**[0004]** EP 1347353A, published after the priority date of the present application, relates to a method for controlling the flow of fluid in a microsystem.

**[0005]** JP 6343451A is concerned with an apparatus and method for immobilising and culturing organism tissue.

**[0006]** WO 01/07506 A2 discloses a device comprising microscale channels in a transparent substrate and a polymerization-initiating energy source which may be a heat source.

Problems for the Invention to Solve

**[0007]** The present invention is a method to recover specific micromaterials such as DNA molecules, cells, microorganisms and the like from other micromaterials present, and the objective of the present invention is to provide a method that can solve the problems mentioned below.

1. Desired samples are selected from a large amount of randomly dispersed samples while examining them using optical microscope. Commonly used cell sorters cannot achieve this mission.
2. Desired samples are selected from randomly dispersed samples. The method should remove only necessary samples when needed.
3. High throughput separations are made possible.
4. Several samples are selected from a large number of samples (for example, 50,000 samples) easily and accurately.
5. Direct irradiation of separation targets by laser is avoided, and damage to the separated material is prevented. This issue is particularly important for microbial separations since microorganisms are sometime decimated due to temperature increases or ultraviolet radiation when directly exposed to laser light.
6. The selection process is automated by combining fluorescence observation and image processing. When conducting fluorescence observation, the background noise generated causes problems such as a decline in image resolution and blurred images. The merits of this approach includes an extensive reduction in background noise levels, the possibility of high contrast examinations and there being no need for attaching expensive optical systems such as proximity fields when unnecessary materials that cause noise can be removed.
7. This system can be combined with microbial culture chips allowing further integration to occur to execute the steps from separation to culturing on one chip.

Means to Solve the Problems

**[0008]** The present invention focuses on the utilization of a substance that causes a reversible phase transition between a sol and a gel as a medium for the recovery of only a target micromaterial from a solution containing numerous micromaterials such as cells, microorganisms and DNA molecules and completes an accurate and yet simple recovery method upon developing a simple method to induce the phase transition.

**[0009]** In the method of the present invention, either a substance that undergoes a reversible phase transition between a gel and a sol in which numerous micromaterials are dispersed or a solution containing the substance is allowed to flow into a microchannel. The micromateri-

als present in a specific observation zone are, for example, examined and selected microscopically. Target micromaterials are selected, particularly those present in the vicinity of a support material (the vessel bottom surface and the like), and the surrounding area is locally gelled along with the target material to immobilize the target material on the support material (the vessel bottom surface and the like). After the target material is immobilized on the support material, the flow inside the microchannel is activated, and those micromaterials not immobilized are removed. After thorough removal, the medium is converted into a sol to lower the viscosity. The target material can be recovered by re-establishing a flow.

**[0010]** That is, the present invention is a method of recovering a desired micromaterial in a system comprising a medium that undergoes a reversible phase transition between a sol and a gel, a support material and micromaterials, comprising the steps of converting the medium surrounding the micromaterial to be recovered into a gel locally to immobilize said micromaterial on said support along with the gelled medium, removing the medium and micromaterials not immobilized on said support material and converting the gelled medium to a sol to recover the micromaterial. The micromaterial contains micromaterial(s) desired for recovery and unnecessary micromaterials, and the present invention makes possible highly accurate recovery of only the desired micromaterial from the mixture.

**[0011]** Any medium can be used in the method of the present invention provided that it can undergo a reversible sol to gel phase transition. Of such media, those that can induce such a phase transition due to temperature changes are particularly convenient to use. That is, this medium has a sol to gel phase transition temperature, forms a gel when heated to at or above said phase transition temperature and forms a sol when cooled to at or below said phase transition temperature. The phase transition temperature is preferably room temperature to 90°C, more preferably 20 to 85°C, even more preferably 30 to 60°C, although it depends on the properties of the target micromaterials in the present invention. For separation and recovery of a microorganism, this phase transition temperature is particularly preferably 30 to 50°C. In this case, a water soluble cellulose derivative or a solution thereof is preferred as the medium, and methylcellulose is more preferred as the cellulose derivative. For example, Metolose SM, SH, SE and the like, manufactured by Shin-Etsu Kagaku Kogyo K.K., can be mentioned. Furthermore, a polymer of poly-N-isopropyl acrylamide and a poly(ethylene glycol) derivative may be used as the medium. This polymer is commercially available as Mebiol Gel (registered trade mark, Ikeda Rika K.K., transition temperature 22°C), for example, but the transition temperature can be modified to set at 30°C to 32°C through molecular design.

**[0012]** For example, methylcellulose (Metolose SM) ordinarily is transformed into a turbid white gel when its

2% solution is heated to about 55°C and is converted into sol again when cooled. The transition is reversible with temperature change, and methylcellulose is nontoxic to biological matter and to humans since it is a fiber. Furthermore, the gel formation temperature is lowered by adding NaCl, NaOH and the like. For example, the gel formation temperature can be lowered to about 40°C when 5% NaCl is added to this 2% solution.

**[0013]** Methylcellulose (Metolose SM) exhibits hysteresis properties with the temperature induced viscosity changes as shown in Figure 1. Therefore, multiple numbers of targets may be removed by utilizing this property. The flow scheme is shown below.

1. An electrode is used to heat the solution to T2, a temperature just below the gel formation initiation temperature. At this point, the entire solution is in the form of a sol.

2. A solution containing a mixed sample of microorganisms, cells or DNA materials is allowed to flow.

3. A laser is used to heat only the area surrounding the target to T4, a temperature exceeding the gel formation initiation temperature to form a gel. The laser is immediately discontinued after the heating. However, the area surrounding the target remains gelled since the temperature once exceeded T4, the gel formation temperature, and remains supported by the bottom surface. The area surrounding a target material may be heated locally without heating the target material itself and the target material may be immobilized on a support material, when direct laser irradiation and direct target material heating using other heating means are not appropriate. An example is shown in Figure 2.

4. By repeating step 3, multiple numbers of targets can be maintained over a heating electrode. When microorganisms and cells are targets, the heating electrode may be covered with an insulator in order to avoid killing microorganisms and cells by electricity.

5. A cleaning flow is generated to remove the non-target material. The target is fixed on the bottom surface at this point due to the gelled areas and is not moved by the flow. Therefore, only the non-target material is removed.

6. Steps 2-5 are repeated, and optional numbers of target materials can be retained.

7. The temperature reaches T1 instantaneously when the heating electrode is turned off, and the gelled areas surrounding a target are instantaneously converted into a sol that can move with the flow without adhering to the bottom surface.

8. The recovery flow is allowed to move, and the target material is recovered from a recovery port.

**[0014]** In the examples described later, the hysteresis properties are advantageously utilized and multiple numbers of samples can be extracted on one electrode.

**[0015]** The support material is used to immobilize a target material and to immobilize the target material when removing unnecessary materials. Therefore, the support material is not particularly restricted as long as it conforms to such objective. A support material is ordinarily a vessel used to contain micromaterials and a medium, but, in addition to the vessel, a support material shaped like rods, boards, screen or grating may also be used. The material of construction for the support material is not particularly restricted. However, the support material is transparent since the transparency makes it possible to shine light through the support material, the target material can be observed and a type of microscope for observation using transmission lighting methods can be utilized. A medium that can be heated is more convenient when the sol to gel phase transition is induced by changing the temperature. For example, a support material that is a transparent electrode (ITO) is particularly preferred since it can be irradiated with infrared laser light to induce localized heating and it can also heat the entire material or a portion of it by allowing electrical current to pass.

**[0016]** Any micromaterial that can be incorporated into a gelled medium may be used as a target for a method of the present invention, and target material sizes from several nm to about 200  $\mu\text{m}$ , preferably several nm to about 30  $\mu\text{m}$  are particularly suitable. The method of the present invention is particularly suited for separation and recovery of micromaterials such as DNA molecules, cells, microorganisms and the like. Such micromaterials can ordinarily be identified visually unaided or microscopically for sample shape, size, color, fluorescence reaction and the like. The micromaterials may also be identified when the micromaterials have some markers. In the present invention, such selection does not necessarily have to be conducted visually and may be conducted automatically using an automatic identification device using a CCD camera or a device that automatically senses fluorescent reactions.

**[0017]** Background noise is considered a problem when examining a micromaterial such as DNA and the like. However, the background noise problem can be resolved by using thermal gelation as in the present invention, immobilizing only the DNA near the cover glass and reversing the thermal gelation for the observation after removing the DNA floating on top.

**[0018]** A conventional method utilizing evanescent illumination (for example, using TIRFM, a fully reflective fluorescent microscope system manufactured by Olympus Kogaku Kogyo) uses evanescent light for the excitation and induces only the fluorescent molecules in close proximity of the glass to emit light. However, the use of evanescent illumination required the involvement of an expensive optic system. The use of a method (thermal gelation) of the present invention temporarily immobilizes only the micromaterials near the support material shown in Figure 3 and can remove the fluorescent molecules that cause observation noise and obstacles through cleaning. Therefore, a highly sensitive observation (low

background noise) is made possible using fluorescent microscopes that are most commonly utilized.

**[0019]** Background noise generally interferes with drop light fluorescent observations using mercury lamps, but the approach can be applied to the observation of various samples other than DNA by utilizing a method of the present invention to dye with a fluorescent substance only that part of a sample desired for observation.

**[0020]** The means through which a gel and sol phase transition is induced reversibly in the present invention may be appropriately selected according to the nature of the substance used to induce a reversible gel and sol phase transition. However, the use of a substance that undergoes a reversible gel to sol phase transition using temperature is convenient. The localized heating method employed is not particularly restricted. A microelectrode may be manufactured using microtooling methods and may be locally heated using resistance wire heating or an infrared irradiation device.

**[0021]** The use of resistance wire heating to heat an electrode when the target material is a microorganism requires planning to prevent killing the microorganisms with the electric current, and covering the resistance wire with an insulator is desirable. As the insulator, silicon oxide, silicon nitride, polyimide resin and the like may be mentioned.

**[0022]** Heating a medium to a temperature above the phase transition temperature by applying infrared radiation and cooling the medium to a temperature below the phase transition temperature by terminating the radiation is particularly preferred as the localized heating method. A conventional infrared irradiation device may be used, but the use of an infrared laser is preferred. A laser may be used to irradiate a target material as is or a lens and the like may be used to focus the light on a target material for the irradiation. A YAG laser (Nd:YAG laser), an Nd:YVO<sub>4</sub> laser, a CO<sub>2</sub> laser, a ruby laser and the like may be used as the infrared laser, but the use of a YAG laser or Nd:YVO<sub>4</sub> laser is convenient.

**[0023]** Hot water may be poured into an addition port as a heating method.

**[0024]** In addition, the present invention is a device for recovering micromaterials comprising a space to retain a medium that undergoes a reversible phase transition between a sol and a gel by changing temperature and a support material, means to heat said support material to a temperature of at least the phase transition temperature of said medium, means to heat said support material locally to a temperature of at least the phase transition temperature of said medium, a flow channel through which said medium can be added to said space, a flow channel through which a cleaning fluid can be added to said space, a flow channel through which the cleaning fluid can be discharged from said space and a flow channel through which said medium can be discharged from said space, wherein the support material is transparent. Any one of these flow channels may also function as other flow channels.

**[0025]** This device may also be appropriately further provided with heating means such as an infrared irradiation device to irradiate the aforementioned space, but an infrared laser is preferred and a YAG laser or an Nd:YVO<sub>4</sub> laser is more preferred. Furthermore, the device may also be equipped with a lens designed to concentrate the infrared rays from an infrared irradiation device into the aforementioned space. In addition, this device may also be equipped with a microscope to observe the aforementioned space. This device, furthermore, may also be equipped with a shape identification device utilizing, for example, a CCD camera and a device that automatically senses fluorescent reactions to automate the identification process.

#### Simple Explanation of the Figures

#### **[0026]**

Figure 1 is a graph showing viscosity changes as function of methyl cellulose (Metolose SM) temperature. This graph exhibits hysteresis property.

Figure 2 shows a method to immobilize a target material by locally heating the area surrounding the target material.

Figure 3 shows an observation method after temporarily immobilizing only the micromaterials near a support material using a method (thermal gelation) of the present invention.

Figure 4 shows a recovery mode using a pipette after a target material is immobilized using a gel.

Figure 5 is a microchip schematic diagram. The top figure is a view of the microchip from above, and the lower figure is a cross sectional view.

Figure 6 is a schematic diagram of another microchip. The microchip was viewed from above.

Figure 7 shows the concentration of a laser light on a transparent electrode in Example 2 (figure on the left) and the gelation mode of methylcellulose incorporating a target material (figure on the right).

Figure 8 shows the concentration of a laser on a transparent electrode in Example 3 (figure on the left) and the gelation mode of methylcellulose incorporating a target material (figure on the right).

Figure 9 is a microchip schematic diagram. A-D represent heatable electrodes. The vertical and horizontal flow channels are the same as those shown in Figure 7.

#### Effect of the Invention

**[0027]** Conventional cell sorters separate cells by inducing serial flows, but the present invention can select randomly dispersed target materials by two dimensionally spreading a sample and comparing the properties. By expanding the observation zone, 10,000 to 40,000 micromaterials can be compared and sorted in a single pass using this method, accelerating the separation

speed. In addition, a selected target material can be attached to the interior of a microchip or a micromanipulator or retained inside a suctioned pipette chip making high speed recovery simple to execute when necessary.

**[0028]** The present invention is illustrated using the examples shown below, but the examples are not intended to limit the present invention.

#### Example 1

**[0029]** In the present example, a target material is immobilized by a gel and is recovered using a pipette. The execution mode of the process is shown in Figure 4.

**[0030]** A mixture of 0.01 g of yeast (particle size: about 6 μm) and 8 ml of a 2% aqueous solution of methylcellulose (Shin-Etsu Kagaku Kogyo K.K., Metolose SM-4000) was spread flat on a substrate (a glass with an electrode (ITO) film formed on the surface) using spin coating.

**[0031]** By using this type of transparent substrate, a target material can be observed using an inverted microscope. This substrate was examined using an inverted optical microscope (Olympus Co., IX70), and a target material was selected. A particular target was selected from the materials present near the bottom, and the substrate in the vicinity of the target material was irradiated by concentrating an Nd:YVO<sub>4</sub> laser (Spectra-Physics Co., J20-IR-2E, wavelength: 1064 nm) through an objective lens (Olympus Co., UPlanApo 100x/1.35). This irradiation locally heated the area surrounding this substrate by the laser, and the target material was immobilized on the substrate since methylcellulose was gelled along with the target material. The gel formed by the laser irradiation remained in a gel state for a certain duration of time, therefore multiple numbers of target materials were immobilized at this point.

**[0032]** After immobilizing the target materials with the gel, water was used to wash and remove other unnecessary materials. After the unnecessary materials were sufficiently removed, the target material heating was discontinued to convert the target material into a sol and release it from immobilization. The target material was recovered using a recovery pipette attached to a micromanipulator.

#### Example 2

**[0033]** Schematic diagrams of the microchips used in the present examples are shown in Figures 5 and 6.

**[0034]** These microchips are equipped with two intersecting flow channels. The form for these two flow channels were created using microtooling, and the microfluid chips were shaped from PDMS (polydimethylsiloxane). The two flow channels intersected forming a cross in the microchip shown in Figure 5, and the two flow channels intersected forming a T in the microchip shown in Figure 6. A single discharge port functioned to discharge both a sample and a cleaning solution.

**[0035]** One flow channel was used to add a sol/gel phase transition substance containing a target material and to move water used to clean unnecessary materials other than subsequently fixed target materials. The other flow channel was used to recover the fixed target material.

**[0036]** The intersection of the two flow channels (an observation zone) was observed using an inverted optical microscope (Olympus Co., IX70), and the zone was irradiated by focusing an Nd:YVO<sub>4</sub> laser (Spectra-Physics Co., J20-IR-2E, wavelength: 1064 nm) through an objective lens (Olympus Co., UPlanApo 100x/1.35). A transparent electrode (Matsunami Glass Kogyo K.K., a thin glass sheet with ITO) was formed as a film in the bottom of the observation zone, and a pattern was created. Furthermore, the surface of this transparent electrode was coated using silicon oxide.

**[0037]** This microchip was positioned on the stage of an optical microscope. The stage was movable, and the microchip could be observed using microscope and irradiated using a laser while moving the observation zone.

**[0038]** A mixture of 0.01 g of yeast (particle size: about 6 μm) and 8 ml of a 2% aqueous solution of methylcellulose (Shin-Etsu Kagaku Kogyo K.K., Metolose SM) was added from the addition port of this microchip. The valve in the extraction port was then closed at this point.

**[0039]** An electrical current was allowed to flow through the transparent electrode to warm it, and a gel was formed on the transparent electrode surface to temporarily immobilize the sample and impurities present near the surface. Water was subsequently added from a cleaning water addition port, and the methylcellulose that was not immobilized was removed.

**[0040]** The cooled transparent electrode was subsequently warmed to near the thermal gelation initiation temperature but not exceeding it by passing an electrical current, and the vicinity of where two of the microflow channels intersected was observed using an inverted microscope to select a target material. After selecting a target material, the transparent electrode in the vicinity of the target material (the aforementioned sample) was irradiated with the focused laser. The transparent electrode in the area exposed was heated, and the methylcellulose in the area was gelled while entrapping the target material. The design is shown in Figure 7. Cleaning water was subsequently added from a cleaning water addition port, and methylcellulose and other unnecessary materials not immobilized were removed and discharged through a discharge port.

**[0041]** The valve on the discharge port was subsequently closed, and a solution containing a sample was added from the addition port. By repeating similar procedures, the necessary quantity of the target material was recovered. The purity of the recovered material obtained using the device shown in Figure 6 was better than that obtained using the device shown in Figure 5 since the residence time of cleaning and recovery solutions was shorter.

### Example 3

**[0042]** A microchip similar to the one described in Example 1 with the exception of having transparent electrodes (ITO) located in top and lower sections of an observation zone was used.

**[0043]** A mixture of a sample and methylcellulose similar to the one described in Example 1 was added to this microchip.

**[0044]** Both transparent electrodes were warmed by passing electrical current, and the sample and impurities were entirely immobilized once. The target material vicinity was subsequently irradiated using a laser in the same manner as described in Example 1. The design is shown in Figure 8. The power to the transparent electrodes was subsequently terminated, and water was added from a cleaning water addition port to remove unnecessary materials. The target material remaining was subsequently recovered.

**[0045]** One merit of the current method is that a sample not near the bottom surface can be immobilized in the environment since the immobilization occurs through localized heating using bottom and top electrodes.

### Example 4

**[0046]** In the present example, a target material was immobilized by heating that combined electrical overheating of an electrode with localized heating using laser irradiation. A schematic diagram of this microchip is shown in Figure 9.

**[0047]** This microchip was positioned on a microscope stage. The observation zone could be changed according to the observation magnification of the microscope, and a broad area could be observed by moving the stage. A large amount of sample can be treated by preparing multiple numbers of electrodes, and the work efficiency can be improved. In order to realize immobilization through electrical overheating of an electrode, only one target material of about several microns can be immobilized and, therefore, the number of electrodes needed to be increased. Many electrodes are needed to remove only one target material from several thousands to several tens of thousands of micromaterial samples, and the system could become complex. Therefore, multiple numbers of electrodes that can immobilize several thousands to several tens of thousand of micromaterial samples at once were prepared. In the present example, electrodes A-D, four independent electrodes, were prepared.

**[0048]** The sample from Example 1 was used, appropriate valves were controlled for sample additions, and cleaning and recovery were as in Example 1.

**[0049]** A micromaterial sample was first added, and electrical current was passed through all electrodes to heat them to immobilize the micromaterial sample. Cleaning water was allowed to flow as needed, and the samples that were not immobilized were washed away. Next, the flow of electricity and the heating of Electrode

(A) were terminated, and a target material was decided upon examining the micromaterial sample on Electrode (A). The target material was immobilized through laser irradiation and localized heating. After the immobilization, materials other than the target material in the vicinity of Electrode (A) were washed away using a flow of cleaning water. Electrode (A) was subsequently heated using a flow of electrical current, and the target material previously selected was immobilized before laser irradiation was terminated. Next, the micromaterial sample on Electrode (B) was examined, and the same process described above was repeated. Similar procedures were repeated for Electrodes (C) and (D), and at least four target materials were immobilized. Finally, electrical flow and heating were terminated only for the electrode containing a desired target material after washing, and only the target material was extracted using a recovery flow. **[0050]** An example involving four electrodes is described here, but a large amount of sample can be processed rapidly when the number of electrodes involved is increased. The separation process can be automated by automating the stage of the microscope.

#### Claims

1. A method of recovering a desired micromaterial in a system comprising a medium that undergoes a reversible phase transition between a sol and a gel, a support material and micromaterials, comprising the steps of converting the medium surrounding the micromaterial to be recovered into a gel locally to immobilize said micromaterial on said support along with the gelled medium, removing the medium and micromaterials not immobilized on said support material and converting the gelled medium to a sol to recover the micromaterial.
2. The method as in claim 1 wherein the medium has a sol to gel phase transition temperature, forms a gel when heated to at or above said phase transition temperature and forms a sol when cooled to at or below said phase transition temperature.
3. The method as in claim 2 wherein the phase transition temperature is from 20°C to 90°C.
4. The method as in claim 2 or 3 wherein the medium is a water soluble cellulose derivative or a solution thereof.
5. The method as in claim 4 wherein the cellulose derivative is methylcellulose.
6. The method as in any preceding claim wherein the support material is transparent.
7. The method as in any preceding claim wherein the support material is an ITO transparent electrode.
8. The method as in any preceding claim wherein the micromaterial has a marker for identification.
9. The method as in any preceding claim wherein the micromaterial is a DNA molecule, a cell or a micro-organism.
10. The method as in any one of claims 2 to 9 wherein the medium is heated to a temperature at or above the phase transition temperature by applying infrared irradiation and the medium is cooled to a temperature at or below the phase transition temperature by terminating the infrared irradiation.
11. The method as in claim 10 wherein the means to heat is an infrared laser.
12. The method as in claim 11 wherein the infrared laser is a YAG laser or an Nd:YVO<sub>4</sub> laser.
13. A device for recovering micromaterials comprising a space to retain a medium that undergoes a reversible phase transition between a sol and a gel by changing temperature and a support material, means to heat said support material to a temperature of at least the phase transition temperature of said medium, means to heat said support material locally to a temperature of at least the phase transition temperature of said medium, a flow channel through which said medium can be added to said space, a flow channel through which a cleaning fluid can be added to said space, a flow channel through which the cleaning fluid can be discharged from said space and a flow channel through which said medium can be discharged from said space, wherein the support material is transparent.
14. The device as in claim 13 wherein the medium is a water soluble cellulose derivative or a solution thereof.
15. The device as in claim 14 wherein the cellulose derivative is methylcellulose.
16. The device as in any one of claim 13 to 15 wherein the support material is an ITO transparent electrode.
17. The device as in any one of claims 13 to 16 the means to heat said support material locally being an infrared irradiation device to irradiate the space.
18. The device as in claim 17 wherein the infrared irradiation device is an infrared laser.
19. The device as in claim 18 wherein the infrared laser is a YAG laser or an Nd:YVO<sub>4</sub> laser.

20. The device as in claim 19 further equipped with a lens that concentrates the infrared radiation from an infrared irradiation device to the space.
21. The device as in any one of claims 13 to 20 further equipped with a microscope enabling observation of the space.

### Patentansprüche

1. Verfahren zum Wiedergewinnen eines gewünschten Mikromaterials in einem System mit einem Medium, das einen reversiblen Phasenübergang zwischen einem Sol und einem Gel durchläuft, einem Stützmaterial und Mikromaterialien, mit den Schritten des lokalen Umwandeln des Mediums, welches das zu wiedergewinnende Mikromaterial umgibt, in ein Gel, um das Mikromaterial auf der Stütze zusammen mit dem gelierten Medium zu immobilisieren, Entfernen des Mediums und der Mikromaterialien, die nicht auf dem Stützmaterial immobilisiert wurden, und Umwandeln des gelierten Mediums in ein Sol, um das Mikromaterial wiederzugewinnen.
2. Verfahren nach Anspruch 1, wobei das Medium eine Sol-zu-Gel-Phasenübergangstemperatur aufweist, ein Gel bildet, wenn es auf oder über die Phasenübergangstemperatur erhitzt wird, und ein Sol bildet, wenn es auf oder unterhalb die Phasenübergangstemperatur gekühlt wird.
3. Verfahren nach Anspruch 2, wobei die Phasenübergangstemperatur 20° C bis 90° C beträgt.
4. Verfahren nach Anspruch 2 oder 3, wobei das Medium ein wasserlösliches Cellulosederivat oder eine Lösung davon ist.
5. Verfahren nach Anspruch 4, wobei das Cellulosederivat Methylcellulose ist.
6. Verfahren nach einem vorstehenden Anspruch, wobei das Stützmaterial transparent ist.
7. Verfahren nach einem vorstehenden Anspruch, wobei das Stützmaterial eine transparente ITO-Elektrode ist.
8. Verfahren nach einem vorstehenden Anspruch, wobei das Mikromaterial eine Markierung zur Identifikation aufweist.
9. Verfahren nach einem vorstehenden Anspruch, wobei das Mikromaterial ein DNA-Molekül, eine Zelle oder ein Mikroorganismus ist.

10. Verfahren nach einem der Ansprüche 2 bis 9, wobei das Medium auf oder oberhalb eine Temperatur der Phasenübergangstemperatur durch Anlegen von Infrarotstrahlung erhitzt wird und das Medium auf oder unterhalb die Phasenübergangstemperatur durch Beenden der Infrarotbestrahlung abgekühlt wird.
11. Verfahren nach Anspruch 10, wobei das Mittel zum Erhitzen ein Infrarot-Laser ist.
12. Verfahren nach 11, wobei der Infrarot-Laser ein YAG-Laser oder ein Nd:YVO<sub>4</sub>-Laser ist.
13. Vorrichtung zum Wiedergewinnen von Mikromaterialien mit einem Raum zum Zurückhalten eines Mediums, das einen reversiblen Phasenübergang zwischen einem Sol und einem Gel durch Temperaturänderung durchläuft, und einem Stützmaterial, Mittel zum Erhitzen des Stützmaterials auf eine Temperatur von zumindest der Phasenübergangstemperatur des Mediums, Mittel zum lokalen Erhitzen des Stützmaterials auf eine Temperatur von zumindest der Phasenübergangstemperatur des Mediums, einem Strömungskanal, durch welchen das Medium dem Raum hinzugefügt werden kann, einem Strömungskanal, durch welchen ein Reinigungsfluid zu dem Raum hinzugefügt werden kann, einem Strömungskanal, durch welchen das Reinigungsfluid aus dem Raum ausgetragen werden kann, und einem Strömungskanal, durch welchen das Medium aus dem Raum ausgetragen werden kann, wobei das Stützmaterial transparent ist.
14. Vorrichtung nach Anspruch 13, wobei das Medium ein wasserlösliches Cellulosederivat oder eine Lösung davon ist.
15. Vorrichtung nach Anspruch 14, wobei das Cellulosederivat Methylcellulose ist.
16. Vorrichtung nach einem der Ansprüche 13 bis 15, wobei das Stützmaterial eine transparente ITO-Elektrode ist.
17. Vorrichtung nach einem der Ansprüche 13 bis 16, wobei das Mittel zum lokalen Erhitzen des Stützmaterials eine Infrarotbestrahlungsvorrichtung zum Bestrahlen des Raumes ist.
18. Vorrichtung nach Anspruch 17, wobei die Infrarotbestrahlungsvorrichtung ein Infrarot-Laser ist.
19. Vorrichtung nach Anspruch 18, wobei der Infrarot-Laser ein YAG-Laser oder ein Nd:YVO<sub>4</sub>-Laser ist.



20. Vorrichtung nach Anspruch 19, ferner ausgestattet mit einer Linse, die die Infrarotstrahlung von einer Infrarotbestrahlungsvorrichtung zu dem Raum konzentriert.
21. Vorrichtung nach einem der Ansprüche 13 bis 20, ferner ausgestattet mit einem Mikroskop, das eine Beobachtung des Raumes ermöglicht.

### Revendications

1. Procédé de récupération d'un micro matériau souhaité dans un système comprenant un milieu qui subit un changement de phase réversible entre une solution et un gel, un matériau de support et des micro matériaux, comprenant les étapes consistant à transformer localement le milieu qui entoure le micro matériau à récupérer en un gel de façon à immobiliser ledit micro matériau sur ledit support avec le milieu gélifié, à enlever le milieu et les micro matériaux qui n'ont pas été immobilisés sur ledit matériau de support et à transformer le milieu gélifié en une solution afin de récupérer le micro matériau
2. Procédé selon la revendication 1, dans lequel le milieu a une température de changement de phase de solution à gel, et forme un gel lorsqu'il est chauffé à une température égale ou supérieure à la température de changement de phase et forme une solution lorsqu'il est refroidi à une température égale ou inférieure à ladite température de changement de phase.
3. Procédé selon la revendication 2, dans lequel la température de changement de phase est comprise entre 20° et 90°C.
4. Procédé selon la revendication 2 ou 3, dans lequel le milieu est un dérivé de cellulose soluble dans l'eau ou une solution de ce dérivé.
5. Procédé selon la revendication 4, dans lequel le dérivé de cellulose est un méthylcellulose.
6. Procédé selon l'une quelconque des revendications précédentes, dans lequel le matériau support est transparent.
7. Procédé selon l'une quelconque des revendications précédentes, dans lequel le matériau support est une électrode ITO transparente.
8. Procédé selon l'une quelconque des revendications précédentes, dans lequel le micro matériau a un marqueur d'identification.
9. Procédé selon l'une quelconque des revendications précédentes, dans le micro matériau est une molécule d'ADN, une cellule ou un microorganisme.
10. Procédé selon l'une quelconque des revendications 2 à 9, dans lequel le milieu est chauffé à une température égale ou supérieure à la température de changement de phase en appliquant une irradiation infrarouge et le milieu est refroidi à une température inférieure ou égale à la température de changement de phase en mettant fin à cette irradiation.
11. Procédé selon la revendication 10, dans lequel le moyen de chauffage est un laser infrarouge.
12. Procédé selon la revendication 11, dans lequel le laser infrarouge est un laser YAG ou un laser Nd:YVO4.
13. Dispositif pour la récupération des micro matériaux comportant un espace pour contenir un milieu qui subit un changement de phase réversible entre une solution et un gel par changement de température et un matériau support, des moyens pour chauffer ledit matériau support à une température d'au moins la température de changement de phase dudit milieu, des moyens pour chauffer ledit matériau support localement jusqu'à une température au moins égale à la température de changement de phase dudit milieu, un canal d'écoulement par lequel ledit milieu peut être ajouté dans ledit espace, un canal d'écoulement par lequel un fluide de nettoyage peut être ajouté audit espace, un canal d'écoulement par lequel le fluide de nettoyage peut être déchargé dudit espace et un canal d'écoulement par lequel ledit milieu peut être déchargé dudit espace, dans lequel le matériau support est transparent.
14. Dispositif selon la revendication 13, dans lequel le milieu est un dérivé de cellulose soluble dans l'eau ou une solution de ce dérivé.
15. Dispositif selon la revendication 14, dans lequel le dérivé de cellulose est un méthylcellulose.
16. Dispositif selon l'une quelconque des revendications 13 à 15, dans lequel le matériau support est une électrode transparente ITO.
17. Dispositif selon l'une quelconque des revendications 13 à 16, dans lequel les moyens pour chauffer localement le matériau support sont un dispositif d'irradiation infrarouge pour irradier l'espace.
18. Dispositif selon la revendication 17, dans lequel le dispositif d'irradiation est un laser infrarouge.
19. Dispositif selon la revendication 18, dans lequel le laser infrarouge est un laser YAG ou un laser Nd:

YVO4.

- 20.** Dispositif selon la revendication 19 comportant en outre une lentille pour concentrer la radiation infrarouge provenant du dispositif d'irradiation infrarouge vers l'espace. 5
- 21.** Dispositif selon l'une quelconque des revendications 13 à 20 comportant en outre un microscope permettant d'observer l'espace. 10

15

20

25

30

35

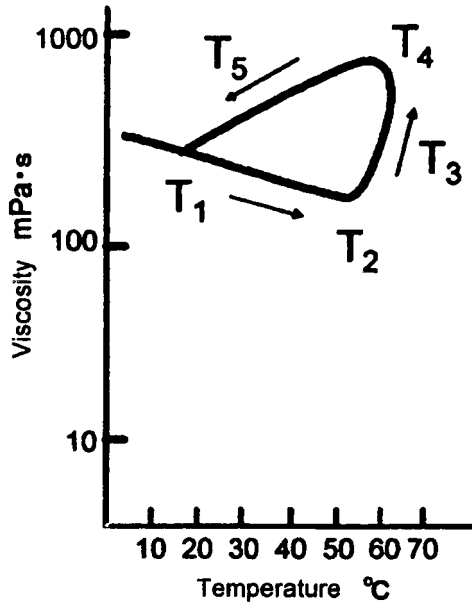
40

45

50

55

Figure 1



EPO - DG 1

18.08.2004

102

Figure 2

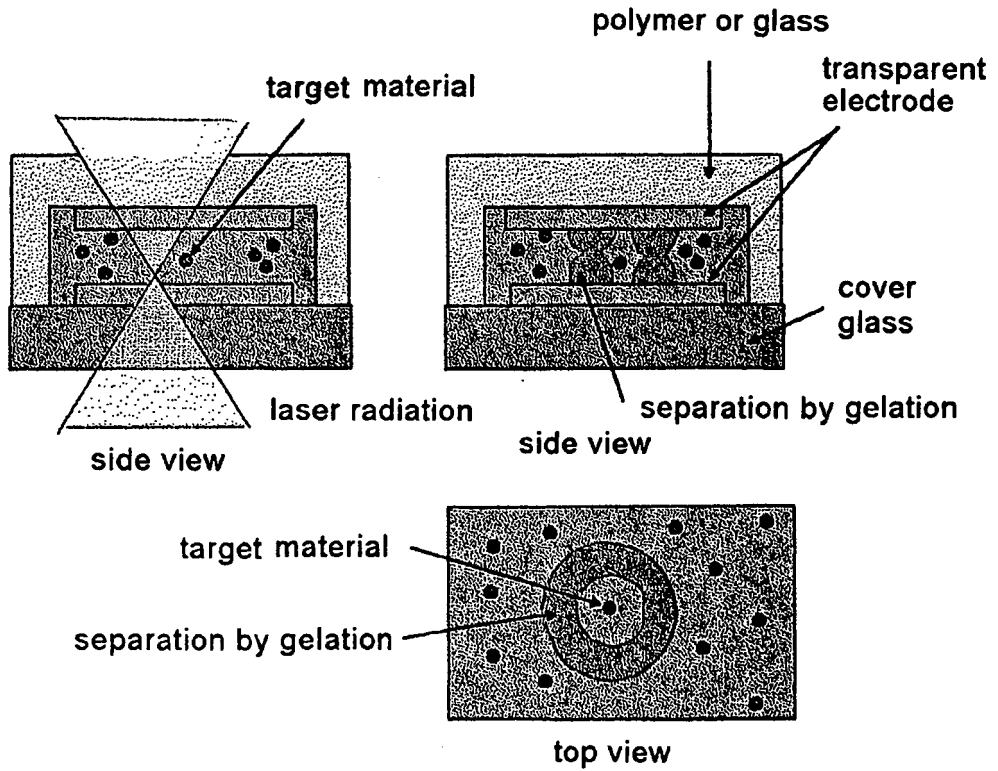


Figure 3

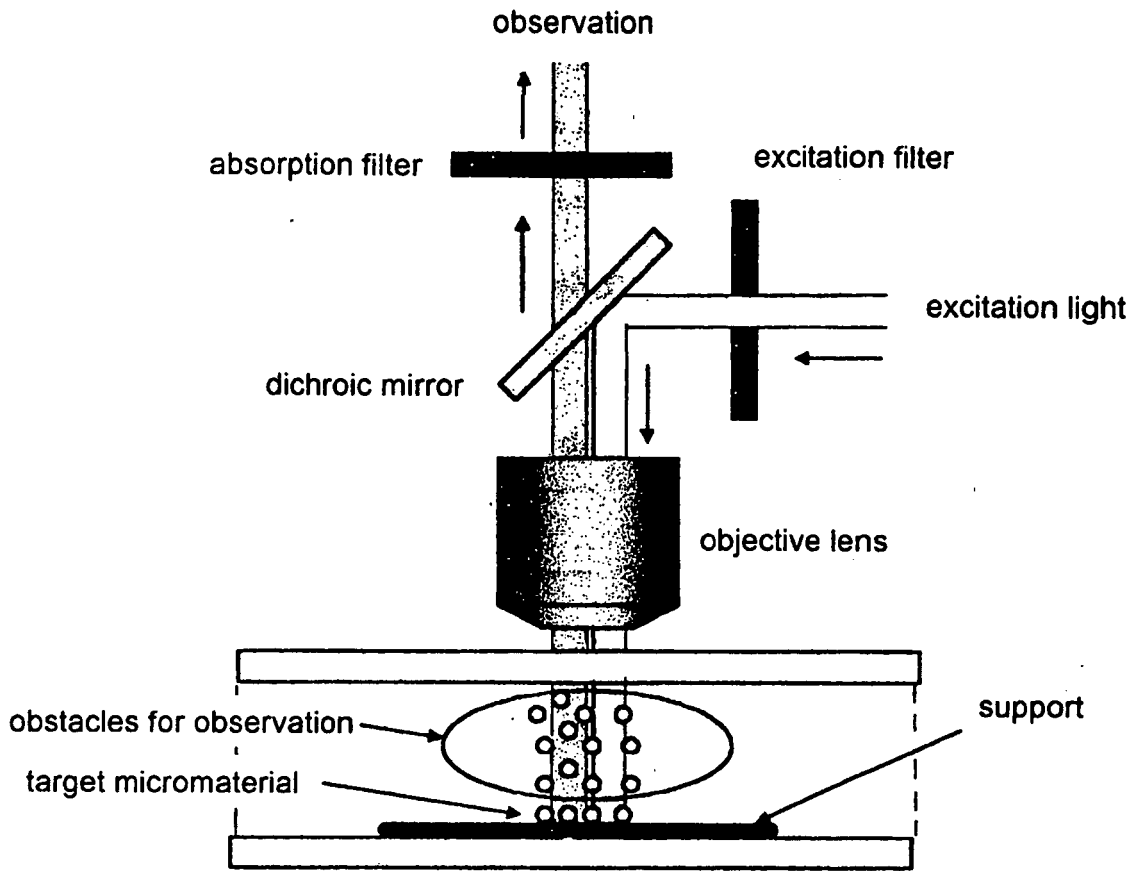


Figure 4

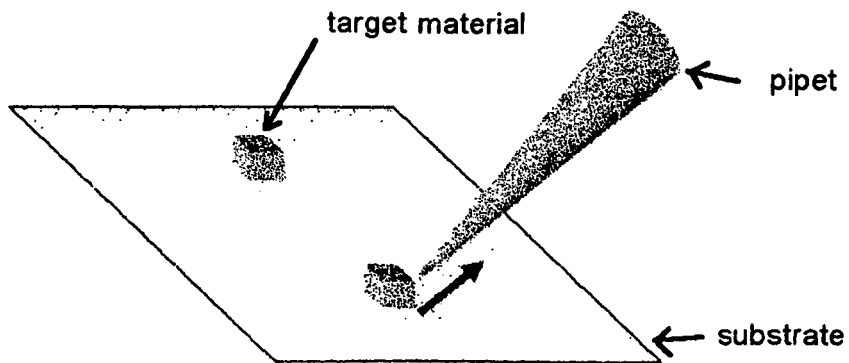


Figure 5

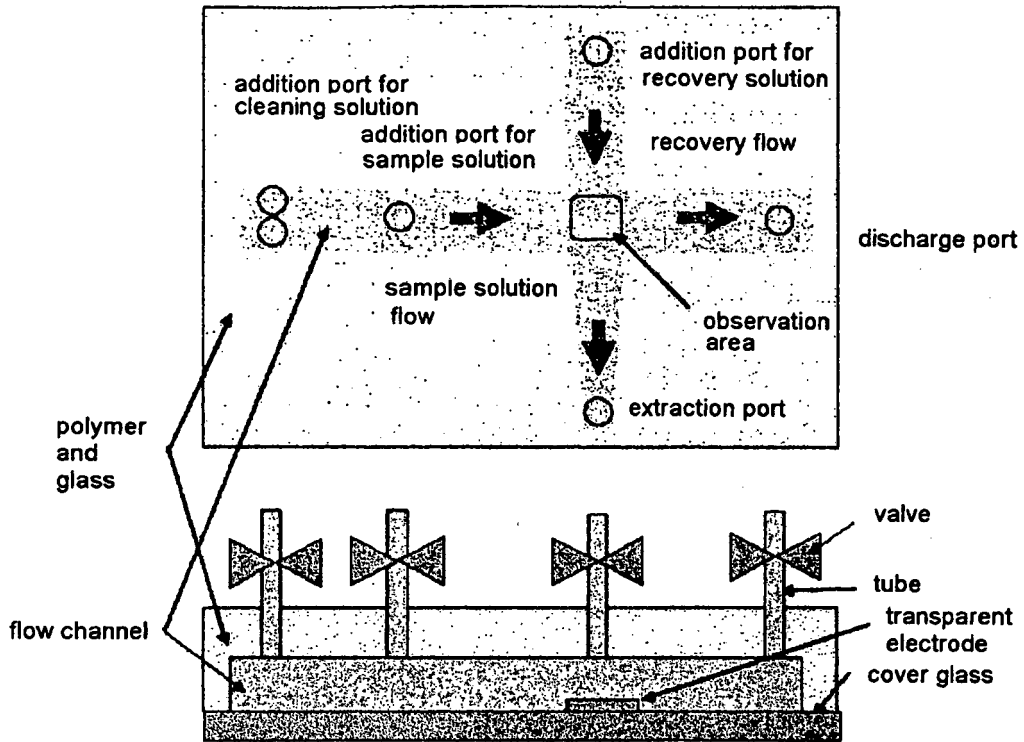


Figure 6

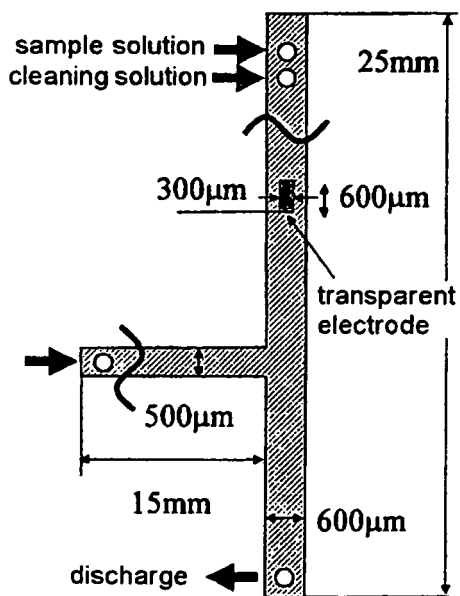


Figure 7

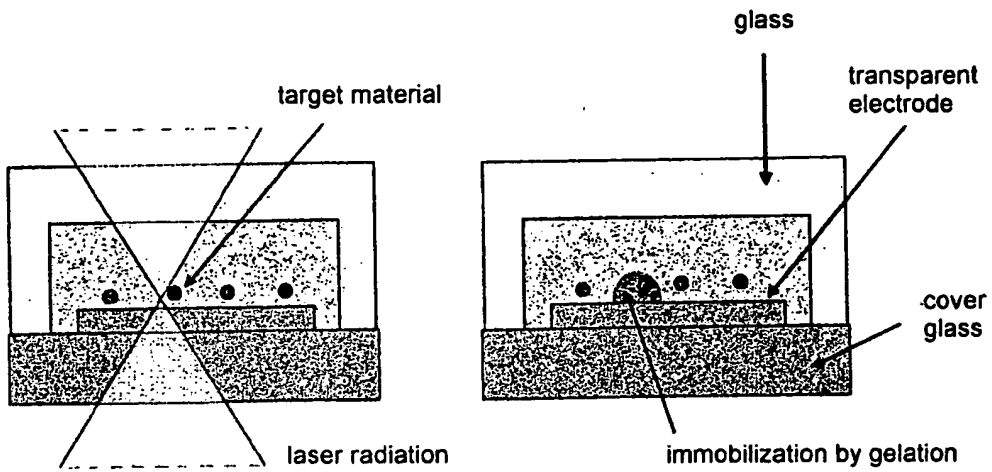


Figure 8

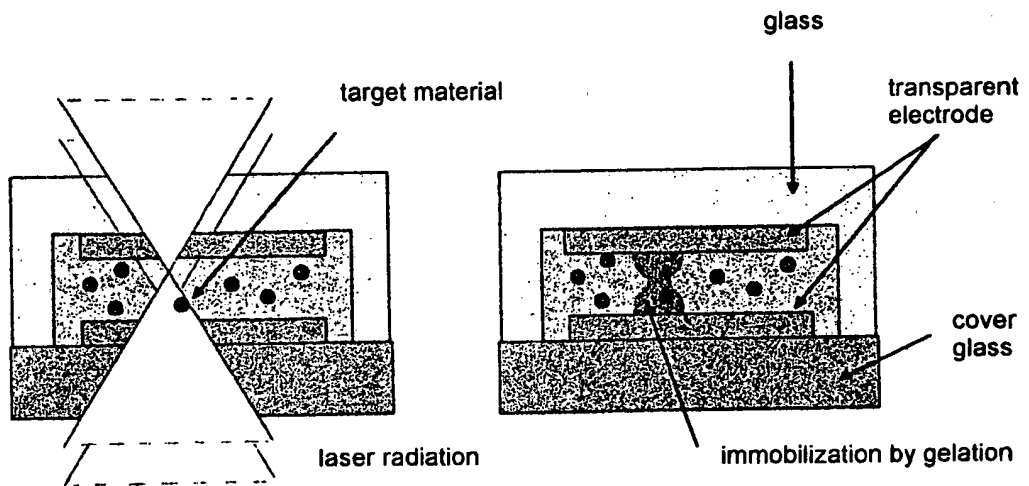
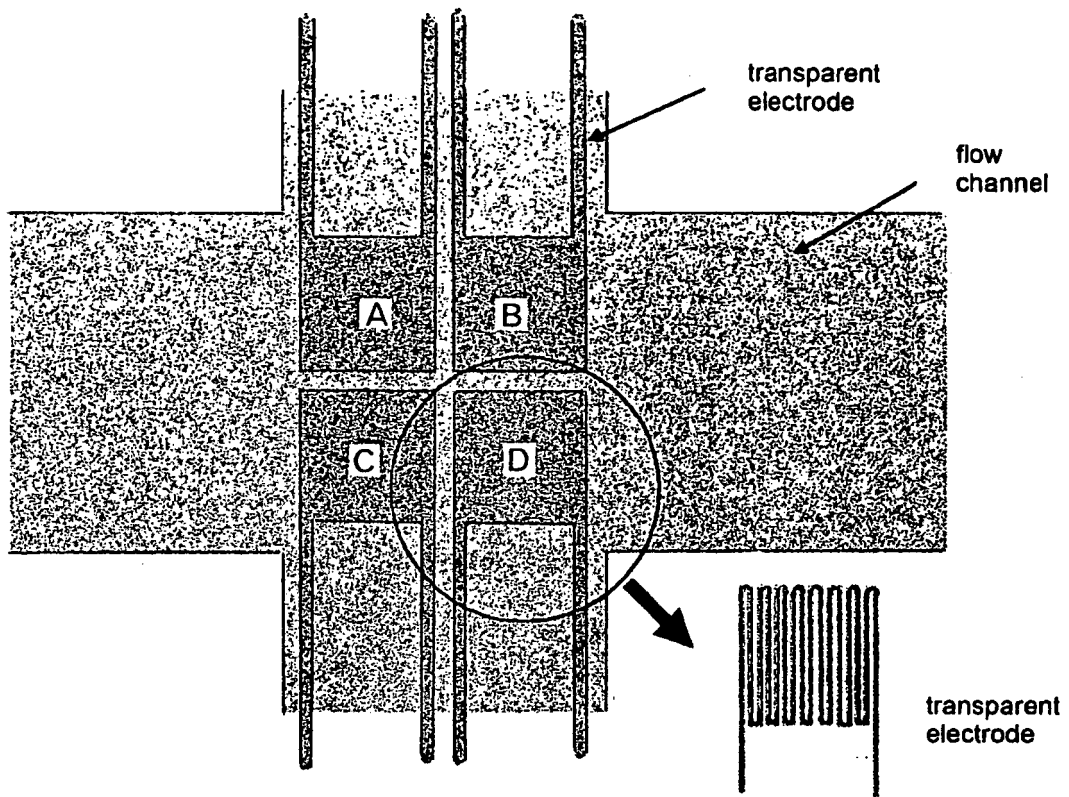


Figure 9



**REFERENCES CITED IN THE DESCRIPTION**

*This list of references cited by the applicant is for the reader's convenience only. It does not form part of the European patent document. Even though great care has been taken in compiling the references, errors or omissions cannot be excluded and the EPO disclaims all liability in this regard.*

**Patent documents cited in the description**

- JP HE111346756 B [0003]
- JP HE111210750 B [0003]
- JP 2001095558 A [0003]
- JP 2001145478 A [0003]
- EP 1347353 A [0004]
- JP 6343451 A [0005]
- WO 0107506 A2 [0006]

**Non-patent literature cited in the description**

- Nihon Kikai Gakkai Ronbunshu. January 2001, vol. 67, 146-153 [0002]
- *Electrophoresis*, 2001, vol. 22, 283-288 [0002]