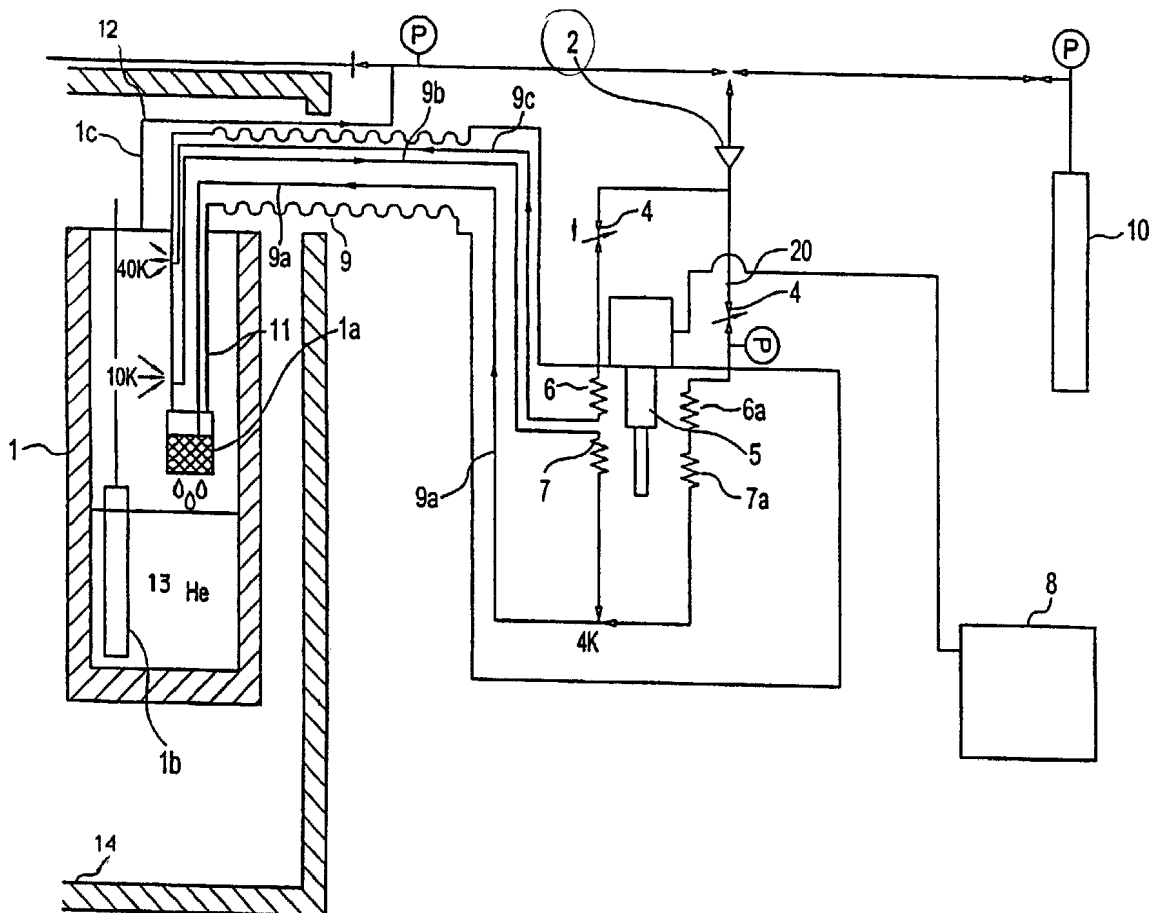




(22) Date de dépôt/Filing Date: 1999/11/30
 (41) Mise à la disp. pub./Open to Public Insp.: 2000/07/06
 (45) Date de délivrance/Issue Date: 2008/10/21
 (62) Demande originale/Original Application: 2 355 821
 (30) Priorité/Priority: 1998/12/25 (JP10/369,064)

(51) Cl.Int./Int.Cl. *F25J 1/02* (2006.01),
G01R 33/035 (2006.01)
 (72) Inventeur/Inventor:
TAKEDA, TSUNEHIRO, JP
 (73) Propriétaire/Owner:
JAPAN SCIENCE AND TECHNOLOGY
CORPORATION, JP
 (74) Agent: OGILVY RENAULT LLP/S.E.N.C.R.L.,S.R.L.

(54) Titre : APPAREIL POUR LA CIRCULATION DE L'HELIUM LIQUIDE ET CONDUITE DE TRANSFERT UTILISEE A
CET EFFET
 (54) Title: LIQUID HELIUM CIRCULATION SYSTEM AND TRANSFER LINE USED THEREWITH



(57) Abrégé/Abstract:

A liquid helium circulation system capable of recycling helium gas has a liquid helium reservoir and a refrigerator where helium gas boil-off recovered from the reservoir is refrigerated and liquefied, and is designed to have the helium gas refrigerated or liquefied

(57) **Abrégé(suite)/Abstract(continued):**

with the refrigerator returned to the reservoir. The system is equipped with a line that supplies high-temperature helium gas heated up inside the liquid helium reservoir to the refrigerator, where the helium gas is made into refrigerated helium gas, and supplies the refrigerated helium gas to the upper part inside the reservoir, and lines that supply low-temperature helium gas in the vicinity to the surface of liquid helium inside the liquid helium reservoir to the refrigerator, where the low-temperature gas is liquefied, and supply the liquefied helium to the reservoir.

ABSTRACT

A liquid helium circulation system capable of recycling helium gas has a liquid helium reservoir and a refrigerator where helium gas boil-off recovered from the reservoir is refrigerated and liquefied, and is designed to have the helium gas refrigerated or liquefied with the refrigerator returned to the reservoir. The system is equipped with a line that supplies high-temperature helium gas heated up inside the liquid helium reservoir to the refrigerator, where the helium gas is made into refrigerated helium gas, and supplies the refrigerated helium gas to the upper part inside the reservoir, and lines that supply low-temperature helium gas in the vicinity to the surface of liquid helium inside the liquid helium reservoir to the refrigerator, where the low-temperature gas is liquefied, and supply the liquefied helium to the reservoir.

LIQUID HELIUM CIRCULATION SYSTEM AND TRANSFER LINE USED THEREWITH

This application is a Divisional of Application Ser. No. 2,355,821 filed in Canada on November 30, 1999.

5 This invention relates to a liquid helium circulation system and transfer lines used with the system. More specifically, it relates to a liquid helium circulation system used in brain magnetism measurement system that condenses helium gas evaporating from its liquid helium reservoir, where a magnetoencephalography is disposed in an extreme low-temperature
10 environment, and to the transfer line used with the system that returns the condensed helium back to the liquid helium reservoir. Besides brain magnetism measurement systems, the liquid helium circulation system and transfer lines are also usable with magnetocardiographs and magnetic resonance imaging (MRI) systems, and in studying and evaluating the properties of a variety of
15 materials at extreme low-temperatures.

 Brain magnetism measurement systems to detect magnetic fields generated by human brains are under development. These systems use superconducting quantum interference devices (SQUIDs) capable of measuring brain activities with a high space-time resolution and without harming the organs.
20 The SQUID operates in a refrigerated state, emerged in a liquid helium filled insulated reservoir.

 With most conventional liquid helium reservoirs in those systems, the helium gas evaporating from the reservoir is released into the atmosphere. This waste of helium in large quantity makes the systems economically
25 disadvantageous because helium is so expensive. Moreover, as the liquid helium in the reservoir is consumed, it must be replenished with fresh liquid helium from a commercial cylinder. The replenishment presents problems, for

example, the process becomes extremely troublesome, or that outsourcing costs are substantial.

Accordingly, there is movement to develop liquid helium circulation systems, which may recover and condense the helium gas evaporating from the reservoir in its entirety and recirculate it back to the reservoir.

In a known type of such a liquid helium circulation system, a magnetoencephalography is disposed in a liquid helium reservoir, a drive pump recovers the helium gas which vaporized from inside the reservoir, and a dryer dehydrates the recovered helium gas. A flow regulating valve, a purifier, an auxiliary refrigerator, a first heat exchanger for the auxiliary refrigerator, a condensing refrigerator and a condensing heat exchanger for the condensing refrigerator are also present. The helium gas which is boiled off from the liquid helium reservoir and whose gaseous temperature is raised to about 300° Kelvin (K) is suctioned with the drive pump and sent through the dryer and purifier to the auxiliary refrigerator, where it is cooled down to about 40° K and condensed. The liquid helium is sent to condensing refrigerator, where it is further cooled down to about 4° K as it passes the condensing heat exchanger. Finally, the extreme low-temperature liquid helium is supplied to the liquid helium reservoir through a transfer line.

This prototype helium circulation system is basically a system to recover and recycle all the helium gas evaporating from the liquid helium reservoir. Compared with other conventional or similar systems, whose vaporized helium is released into the air or recovered in a gas bag or the like for reprocessing, it consumes a remarkably smaller quantity of helium, promising benefits of economy and efficiency, which has been spurring recent efforts to put to practical use. In addition, the added feature of the new system to reliably refill

fresh liquid helium would make maintenance of the measurement system easier as a whole.

Nevertheless, the new circulation system as above-mentioned is not free from necessary improvements as follows.

5 While liquid helium is an indispensable medium to keep a SQUID
in the refrigerated state, a huge amount of electric energy has to be consumed to
run the refrigerator to liquefy helium gas. In addition, a large volume of water is
required to cool the compression pump of the refrigerator. Furthermore, as the
liquefied helium is transferred from the refrigerator to the liquid helium reservoir
10 through the transfer line, it is difficult to isolate it completely from high-
temperature parts, causing a large portion of it to become vaporized, resulting in
a poor transfer rate. Accordingly, the operating cost as well as insulation
measures are expensive comparable to that in the case of allowing the gas to
escape into the air. An economical version of liquid circulation system
15 overcoming such problems needs to be developed.

With the above-mentioned background considerations, Applicant
has developed the present invention from the phenomena that the quantity of heat
(enthalpy) required to raise the temperature of helium gas from about 40° K to
about 300° K is much higher than the vaporization heat required for the phase
20 change from liquid helium to gaseous helium at about 4° K, and that while the
energy required to cool down high-temperature helium to low-temperature
helium is moderate, substantial energy is required to liquefy low-temperature
helium gas.

Namely, this invention offers a new type of liquid helium
25 circulation system as a solution to the problems conventional circulation systems
have had as above-mentioned. With this invention, high-temperature helium gas

as high as 300° K boiling off from the liquid helium reservoir is recovered, cooled down to about 40° K a temperature within the easy reach of a refrigerator, and supplied to the upper part in the reservoir. Also, low-temperature helium gas, for example, approximately 10° K, near the surface of liquid helium inside the reservoir is recovered and liquefied at about 4° K and supplied back to the reservoir. In this manner, the inventory of liquid helium inside the reservoir is easily replenished by as much as is lost by evaporation.

According to a first aspect of the invention, there is provided a liquid helium circulation system for the recovery and recirculation of helium, comprising:

a) a liquid helium reservoir that contains liquid helium, the reservoir having an upper inside part and a lower inside part;

b) a first pipeline that receives evaporated helium gas that was heated to a first temperature range inside the liquid helium reservoir and routes the evaporated helium to a refrigerator, wherein the refrigerator cools the evaporated helium gas into refrigerated helium gas and returns the refrigerated helium gas to the upper inside part of the reservoir; and

c) a second pipeline that receives evaporated helium gas that has a second temperature range near a liquid helium surface inside the liquid helium reservoir and routes the evaporated helium having the second temperature range to the refrigerator, wherein the evaporated helium having the second temperature range is liquefied at the refrigerator and the liquefied helium is returned into the reservoir.

In accordance with one aspect of the present invention there is provided a liquid helium circulation system for the recovery and recirculation of helium, comprising: a liquid helium reservoir that contains liquid helium, said reservoir having an upper inside part and a lower inside part; a recovery pipeline that receives a first evaporated helium gas at a first temperature range inside the liquid helium reservoir and supplies said first evaporated helium gas to a refrigerator, wherein said refrigerator cools said first evaporated helium gas into a refrigerated helium gas; a first pipeline returns said refrigerated helium gas to the upper inside part of the reservoir; a second pipeline that receives a second evaporated helium gas at a second temperature range collected near a liquid helium surface inside the liquid helium reservoir and routes said second evaporated helium having said second temperature range to said refrigerator, wherein said second evaporated helium is liquefied at said refrigerator to produce a liquefied helium; and a third pipeline that returns said liquefied helium to the reservoir.

In accordance with another aspect of the present invention there is provided a transfer line comprising: a first pipeline that transfers refrigerated helium gas at a first temperature from a refrigerator to an upper inside part of a helium reservoir; a second pipeline that transfers an evaporated helium gas at a second temperature range from a liquid helium surface inside the helium reservoir to said refrigerator; a third pipeline that transfers a liquefied helium to the helium reservoir; and wherein the first, second and third pipelines are each insulated pipes surrounded by a vacuum layer, and said insulated pipes are disposed within a fourth pipe insulated with a surrounding vacuum layer.

According to a preferred embodiment of the invention, the first pipeline and the second pipeline are both inside an insulated pipe surrounded by a vacuum layer.

5 Preferably, the liquid helium circulation system of the invention, further comprises a third pipeline that supplies liquid helium to the reservoir, wherein the first, second and third pipelines are in a triple-pipe formation. The third pipeline is centrally located in the triple-pipe, the second pipeline is disposed concentrically around the third pipeline, and the first pipeline is disposed concentrically around both the second pipeline and the third pipeline
10 and is the outermost pipeline.

According to another preferred embodiment, the first, second and third pipelines are in a triple-pipe formation, the first, second and third pipelines being disposed substantially parallel to each other. Preferably, the first, second and third pipelines each have a surrounding vacuum layer.

15 According to a further preferred embodiment, the first and second pipelines are each insulated pipes surrounded by a vacuum layer. Preferably, the liquid helium liquefied by the refrigerator, while being returned to the reservoir, is insulated by the refrigerated helium gas.

20 According to a still further preferred embodiment, some of the helium gas at the first temperature is liquefied by the refrigerator and returned to the reservoir.

According to another preferred embodiment, the helium gas liquefied by the refrigerator is returned to the reservoir via a gas-liquid separator.

25 Preferably, the liquid helium circulation system of the invention further comprises a third pipeline that receives a portion of the evaporated

helium gas, which is liquefied, and routes the liquefied helium to the reservoir. The system can further comprise a heat exchanger that liquefies the portion of the evaporated helium gas.

5 According to a second aspect of the invention, there is also provided a method for the recovery and recirculation of helium gas from a liquid helium reservoir, comprising the steps of:

- a) collecting evaporated helium gas that was heated to a first temperature range inside the liquid helium reservoir;
- b) routing the evaporated helium to a refrigerator;
- 10 c) cooling the evaporated helium gas into refrigerated helium gas;
- d) returning the refrigerated helium gas to an upper inside part of the reservoir;
- e) collecting evaporated helium gas that has a second temperature range from near a liquid helium surface inside the liquid helium reservoir;
- 15 f) routing the evaporated helium having the second temperature range to the refrigerator;
- g) liquefying the evaporated helium having the second temperature range at the refrigerator; and
- h) returning the liquefied helium to the reservoir.

20 Preferably, the method of the invention further comprises the step of protecting the liquid helium being returned to the reservoir with either the refrigerated helium gas or the evaporated helium gas that has a second temperature range from direct contact with higher temperature components.

According to a third aspect of the invention, there is also provided a transfer line comprising:

- a first pipeline that transfers liquid helium;
 - a second pipeline that transfers low-temperature helium gas;
- 5 and
- a third pipeline that transfers refrigerated helium gas having a temperature lower than the low-temperature helium gas;

wherein the first, second and third pipelines are each insulated pipes surrounded by a vacuum layer, and the insulated pipes are disposed within a fourth pipe insulated with a surrounding vacuum layer.

10

According to an alternative embodiment, the first, second and third pipelines are in a triple-pipe formation. The first insulated pipeline is centrally located in the triple-pipe, the second insulated pipeline is disposed concentrically around the first insulated pipeline, and the third insulated pipeline is disposed concentrically around both the first insulated pipeline and the second insulated pipeline.

15

With the liquid helium circulation system according to the present invention, it is possible to minimize liquid helium boil-off from the liquid helium reservoir because the enthalpy of refrigerated helium gas removes a large quantity of heat. Also, cooling helium gas from about 300° K down to about 40° K requires an amount of energy much less compared with that when producing liquid helium of about 4° K by liquefying helium gas of about 40° K. Therefore, compared with conventional systems liquefying the entire volume of helium gas recovered, this system offers outstanding

20

economic benefit by lowering remarkably the amount of energy consumed in liquefying helium gas by shortening the running time of the refrigerator, etc.

5 Also, this system recovers and liquefies low-temperature helium gas in the vicinity of the surface of liquid helium in the liquid helium reservoir, which greatly helps save the amount of energy needed in the process of liquefying helium gas, leading to a large reduction in operating cost.

10 Moreover, this system adapts a method for refrigerated helium gas or low-temperature helium gas to flow around the line supplying liquid helium liquefied by the refrigerator. This isolates the line from surrounding high-temperature parts and protects the liquid helium from evaporating as it flows through the line, which minimizes the loss of energy in a helium gas liquefying process and makes this system a more efficient liquid helium circulation system.

15 In the accompanying drawings:

FIG. 1 is a schematic representation of a multi-circulation type liquid helium circulation system according to a preferred embodiment of the invention;

20 FIG. 2 shows an enlarged side view with a broken section of a transfer line according to a preferred embodiment of the invention;

FIGS. 3A and 3B are the cross-sectional drawings of two different configurations of transfer lines, FIG. 3A being a cross-sectional view along the line 3A-3A of FIG.2; and

FIG. 4 shows the schematic configuration of a conventional circulation type liquid helium circulation system.

Referring first to FIG. 4, a magnetoencephalography is disposed in a liquid helium reservoir 101, a drive pump 102 recovers the helium gas which vaporized from inside reservoir 101 and a dryer 103 dehydrates the recovered helium gas. A flow regulating valve 104, a purifier 105, an auxiliary refrigerator 106, a first heat exchanger 107 for auxiliary refrigerator 106, a condensing refrigerator 108 and a condensing heat exchanger 109 of condensing refrigerator 108 are also present. The helium gas which is boiled off from the liquid helium reservoir 101 and whose gaseous temperature is raised to about 300° K is suctioned with drive pump 102, and sent through dryer 103 and purifier 105 to auxiliary refrigerator 106, where it is cooled down to about 40° K and condensed. The liquid helium is sent to condensing refrigerator 108, where it is further cooled down to about 4° K as it passes condensing heat exchanger 109. Finally, the extreme low temperature liquid helium is supplied to liquid helium reservoir 101 through transfer line 110.

Referring to FIG. 1, a liquid helium reservoir (FRP cryostat) 1 is disposed inside a magnetically-shielded room and wherein a SQUID is placed. A gas-liquid separator 1a is disposed in the reservoir. A level gauge 1b measures the liquid level of liquid helium 13, and a pipe for recovery gas line 12 recovers high-temperature helium gas heated up to about 300° K inside the reservoir. A flow regulating pump 2 supplies recovered high-temperature helium gas to a small capacity refrigerator via pipe 1c, connected to a flow regulating valve 4 and a 4 KGM small capacity refrigerator 5 known for its remarkable recent progress. The refrigerator 5 has first and second heat exchangers and third and fourth heat exchangers 6a, 7a, which liquefy high-temperature helium gas recovered from the reservoir or fresh helium from a cylinder 10 in the event the inventory of liquid helium falls

short inside the reservoir 1 through line 20. A 6.5 KW helium compressor 8 and a transfer line 9 with three combined lines, line 9a that supplies liquid helium liquefied with refrigerator 5 to liquid helium reservoir 1, line 9b that recovers low-temperature helium gas from inside the reservoir 1, and line 9c that supplies helium gas cooled down to about 40° K by refrigerator 5 to liquid helium reservoir 1. The helium cylinder 10 that supplements a fresh helium in an emergency. An insert pipe 11 connected with transfer line 9 and disposed in liquid helium reservoir 1. Above-mentioned component units are interconnected with each other ensuring that fluids flow in the directions as indicated by arrows. In addition, the magnetic-shield room of FRP cryostat 1 is formed by wall 14.

Referring to FIGS. 2, 3A and 3B, the constructions of two different types of transfer lines, among others, are described as follows. FIG. 2 is a side view with a broken section of a transfer line. FIG. 3A is a section along line 3A-3A of FIG. 2 and FIG. 3B shows a section of a transfer line of different construction.

The first example of transfer line given in FIG. 3A has pipe 9a disposed at the center of a surrounding vacuum layer 9d for flowing liquid helium of about 4° K, pipe 9b disposed at the center of a surrounding vacuum layer 9d for flowing low-temperature helium gas of about 10° K recovered from inside the reservoir, and pipe 9c disposed at the center of a surrounding vacuum layer 9d for flowing refrigerated helium gas cooled down to about 40° K by the refrigerator. These pipes 9a, 9b and 9c are lined up in parallel with one another and housed in a large pipe 9A with a surrounding vacuum layer 9d for insulation and an insulation material 13 installed in its inside.

The second example of transfer line is a triple-pipe version of transfer line 9, consisting of a large pipe 9'c surrounded with a vacuum layer 9d

at the outermost, a medium size pipe 9'b surrounded with a vacuum layer 9d set
at the center of pipe 9'c and a small pipe 9'a surrounded with a vacuum layer set
at the center of pipe 9'b. This triple-pipe construction is designed to allow the
flow of refrigerated helium gas of about 40° K along the outer surface of
5 medium size pipe 9'b, low-temperature helium gas of about 10° K along the
outer surface of small size pipe 9'a and liquid helium of about 4° K through the
inside of small size pipe 9'a.

In the case of the example of transfer line of FIG. 3A, three pipes
can be bound together, offering an advantage of smaller outer diameter
10 compared with the triple-pipe construction shown in FIG. 3B.

In each case of transfer line 9, the reservoir-side end of the transfer
line is connected with an insert pipe 11 disposed in liquid helium reservoir 1, and
a gas-liquid separator 1a is installed at the end of insert pipe 11. While this gas-
liquid separator does not constitute an essential part of this invention, it is
15 desirable to install it where it is necessary to prevent the disturbance of
temperature equilibrium in the reservoir due to a paucity of helium gas
generating from liquid helium in transit. Of three pipes placed inside transfer line
9, an end of pipe 9a that supplies the liquid helium liquefied with the refrigerator
to liquid helium reservoir 1 is connected with gas-liquid separator 1a, an end of
20 pipe 9b that recovers low-temperature helium gas from inside reservoir 1 and
supplies it to the refrigerator is located close to the gas-liquid separator 1a of
insert pipe 11 or in the vicinity of the surface of liquid helium inside reservoir 1
so that low-temperature helium gas can be collected from an area of the lowest
available temperature (close to 4° K) inside reservoir 1, and an end of pipe 9c
25 that supplies refrigerated helium gas, cooled down to 40° K with the refrigerator,
to reservoir 1 is opened over insert pipe 11 (the inner upper part of reservoir 1).

The function of the liquid helium circulation system with a construction as above-mentioned is as follows.

5 The liquid helium pooled inside liquid helium reservoir 1 starts to sublime at a temperature of about 4° K inside the reservoir and keeps cooling the inner space of the refrigerator until the amount of heat absorbed by the gas raises its temperature to room temperature, or about 300° K. The high temperature helium gas of about 300° K is suctioned out with flow-regulating pump 2 via helium gas recovery pipeline installed at the upper part of reservoir 1. The entire helium gas recovered is sent to heat exchanger 6 of small-capacity refrigerator 5, 10 where the helium gas is cooled down to about 40° K. The refrigerated helium is supplied via pipe 9c disposed inside the transfer line to the upper part of inside reservoir 1 and cools down efficiently the inner space of reservoir 1 by absorbing, or enthalpy heat until its temperature rises to 300° K. While the lower space inside reservoir 1 is kept at constant 4° K as the liquid helium inside reservoir 1 evaporates, the evaporation is slowed down because the shrouding helium gas of about 40° K as above-mentioned inhibits heat infiltration from above to the liquid helium. In order to raise the cooling performance of reservoir 1, it is desirable to supply refrigerated helium gas cooled down as low as about 40° K to the reservoir.

20 Also, pipe 9c with its opening close to the surface of liquid helium inside reservoir 1 recovers low-temperature helium gas of about 10° K, which is liquefied with the heat exchanger 7 of small capacity refrigerator 5. The liquefied helium is returned to reservoir 1 via pipe 9a inside transfer line 9, and via gas-liquid separator 1a if necessary. This method of liquefying low-temperature helium gas of about 10° K using a small capacity refrigerator is 25 instrumental in constantly replenishing the reducing inventory of liquid helium due to evaporation inside the reservoir at a lower energy cost. Moreover,

liquefied helium flowing inside transfer line 9 is protected with refrigerated helium gas or low-temperature helium gas also flowing inside the transfer line against high-temperature parts, which helps keep the liquid helium in transit from evaporating. Meanwhile, liquefying helium gas of the lowest available
5 temperature drawn out from inside reservoir 1 helps raise the liquefying efficiency of the refrigerator, making it possible to use a small capacity refrigerator with an ensuing reduction in running cost.

Described above is a transfer line that consists of pipe 9c that supplies refrigerated helium gas, cooled down to about 40° K to reservoir 1,
10 pipe 9b that transports low-temperature helium gas of about 10° K recovered from reservoir 1 and pipe 9a that transports liquefied helium. It is also possible to design pipe 9c that supplies refrigerated helium gas to reservoir 1 as an insulated pipe independent from the transfer line.

Aforementioned is an operational system where the entire volume
15 of high-temperature helium gas of about 300° K recovered from reservoir 1 is cooled down to about 40° K, and the refrigerated helium gas is sent to the inner upper part of the reservoir. It is also possible, by operating flow-regulating valve 4a, to supply a portion of high-temperature helium gas through the line
20 to primary and secondary heat exchangers 6a and 7a (different from those aforementioned) of refrigerator 5 for liquefaction and to return the liquefied helium to reservoir 1 via aforementioned pipe 9a.

As above-mentioned, the liquid helium circulation system according to the present invention is designed to perform as follows.

First, the helium gas whose temperature is about 300° K from
25 inside the liquid helium reservoir, and the recovered helium gas is cooled down to about 40° K in its entirety, taking advantage of the first-stage refrigeration

cycle of the refrigerator, and the refrigerated helium gas is sent back to the liquid helium reservoir. Second, low-temperature helium gas of about 10° K is recovered through a pipe with its opening close to the surface of liquid helium inside the reservoir. The recovered low-temperature helium gas is supplied to the secondary heat exchanger 7 of the small capacity refrigerator where the helium gas is liquefied, and the liquefied helium is returned to the reservoir to add to the reducing inventory of liquid helium. Owing to these design features, the helium gas of 40° K can cool the liquid helium reservoir because a large quantity of heat is removed as the helium gas is heated up to about 300° K, and the lower space inside the reservoir is kept at about 4° K, which makes the system comparable with conventional systems in terms of cooling effect. Also, the inventory of liquid helium inside the reservoir is reduced as it evaporates. The design feature to recover and liquefy low-temperature helium gas in the vicinity of the surface of liquid helium inside the reservoir and return the liquefied helium into the reservoir helps minimize energy loss in producing liquid helium, paving the way for designing a liquid helium circulation system with high efficiency at a low cost.

Also, the design feature to have helium gas cooled down with the refrigerator or low-temperature helium gas recovered from the reservoir protects the liquid helium liquefied with the refrigerator in transit greatly helping to reduce the volume of the liquid helium lost by evaporation.

Also, while condensing helium gas of about 40° K to produce liquid helium of about 4° K demands a huge amount of energy, the design feature of this invention to condense helium gas of about 10° K helps minimize the liquefying energy, making it possible to use a small capacity refrigerator.

Another type of refrigerator can replace the refrigerator described above. Using a multi-stage refrigerator would make it possible to have helium gas of different temperatures flow at one time. Also, a controller, not shown in the drawing, is activated with signals from a sensor such as level gauge disposed
5 inside the liquid helium reservoir can be included to control the flow-regulating valve used in replenishing the inventory of liquid helium. Also, optional component units, materials etc. are selectable to suit the purpose of the system.

While the system described above uses one small capacity refrigerator for producing liquid helium and refrigerated helium gas, instead, it is
10 possible to use two or more units of smaller capacity refrigerators, each one assigned with a specific function. Furthermore, while the temperature of helium gas supplied to the refrigerator of the system described above for refrigeration is about 40° K this temperature is not binding and helium gas at a variety of temperatures may be used depending upon the purpose of the work.

15 The application of this invention is diversified without deviating from its spirit as well as its principal features. This description of system performance is nothing but one application, among others, and should not be construed as a one and only application.

Due to the feature of recovering low-temperature helium (about
20 10° K) by means of a pipe with its opening close to the liquid helium inside the reservoir, liquefying the recovered gas with a small capacity refrigerator and returning the liquefied helium to the reservoir to replenish the inventory of liquid helium, the loss of energy in producing liquid helium can be minimized, paving the way for designing highly efficient liquid helium circulation systems
25 operating at a low running cost.

5 Additionally, the invention also ensures the effective use of the large heat enthalpy required while helium gas of about 40° K is raised to 300° K for cooling the liquid helium circulation system and overcomes the prior need of liquefying the entire volume of helium gas with ensuing benefits of saving a large amount of energy and running cost.

 Furthermore, the feature of recovering and recycling helium in its entirety overcomes the prior method of troublesome helium replenishment and reduces largely the cost involving liquid helium.

10 Finally, the feature of transporting the liquid helium liquefied with the refrigerator without allowing it to contact high-temperature parts prevents it from evaporating while in transit and ensures its stabilized return to the reservoir.

CLAIMS:

1. A transfer line comprising:

a first pipeline that transfers refrigerated helium gas at a first temperature from a refrigerator to an upper inside part of a helium reservoir;

a second pipeline that transfers an evaporated helium gas at a second temperature range from a liquid helium surface inside the helium reservoir to said refrigerator;

a third pipeline that transfers a liquefied helium to the helium reservoir; and

wherein the first, second and third pipelines are each insulated pipes surrounded by a vacuum layer, and said insulated pipes are disposed within a fourth pipe insulated with a surrounding vacuum layer.

2. A transfer line of claim 1, wherein said first, second and third pipelines are a triple-pipe formation, and wherein said third pipeline is centrally located in the triple-pipe formation, said second insulated pipeline is disposed concentrically around said third pipeline, and said first pipeline is disposed concentrically around both the second pipeline and the third pipeline, and the third pipeline being outermost.

3. A transfer line of claim 1 or 2, wherein fresh helium from a helium gas cylinder is liquefied with said refrigerated helium at said second temperature and returned to said reservoir in said third pipeline.

FIG. 1

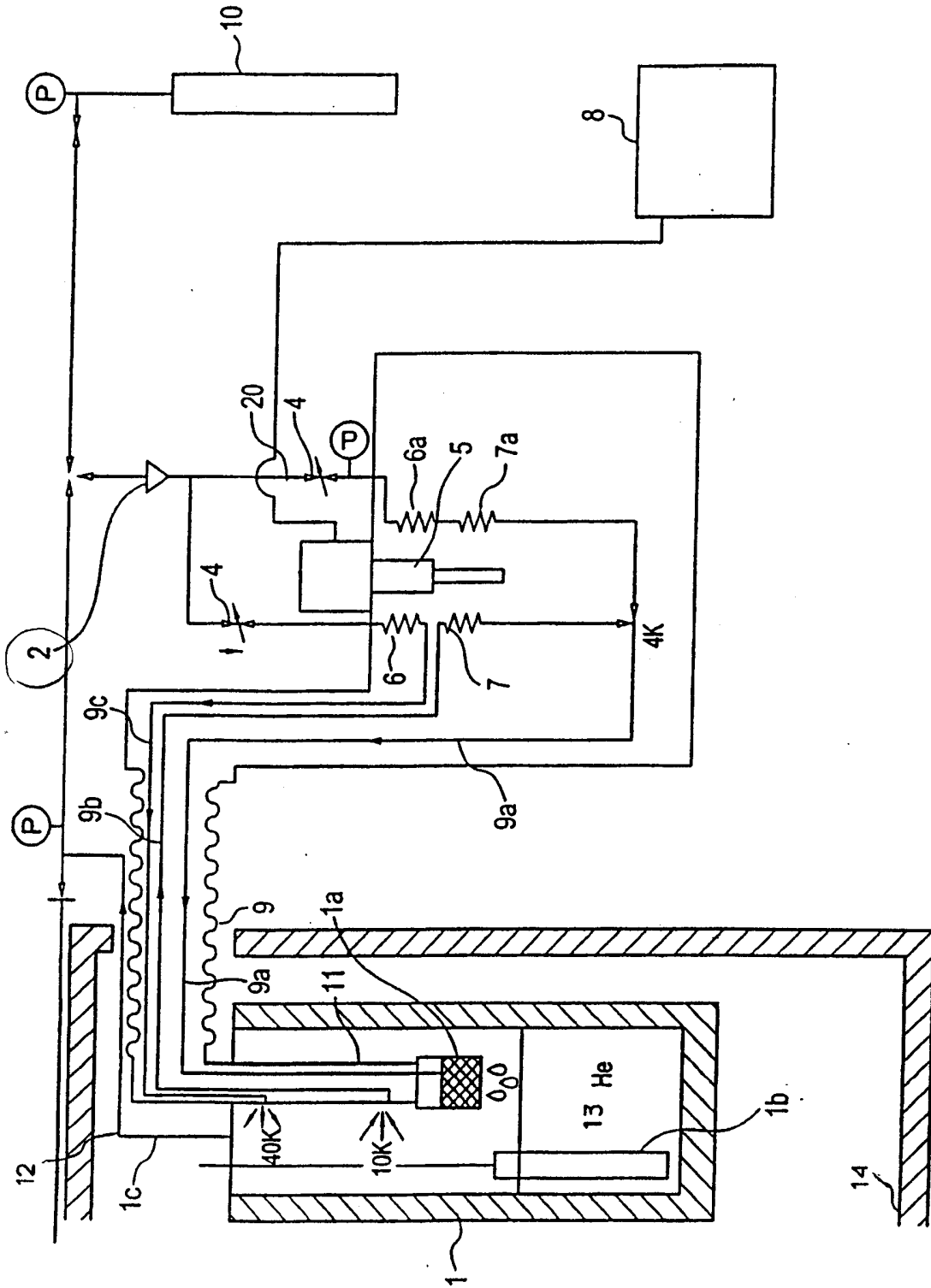


FIG. 2

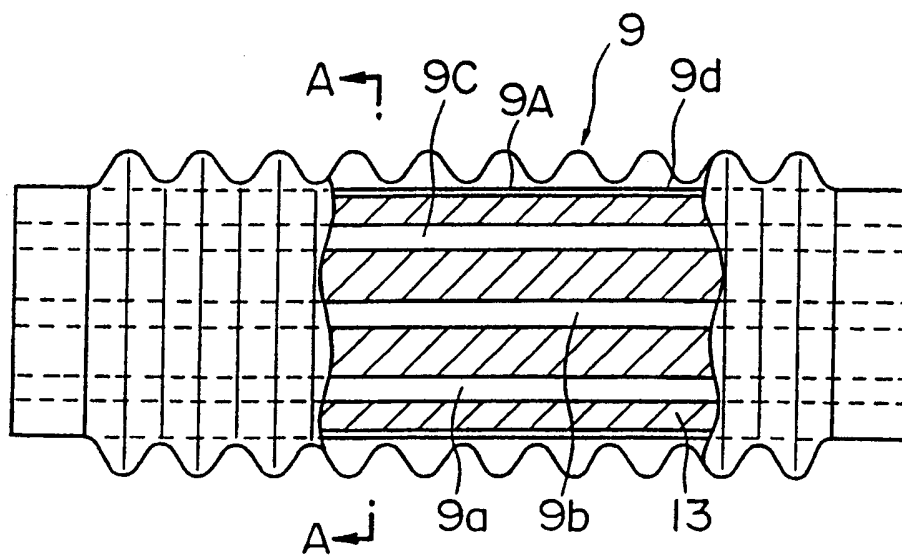


FIG. 3

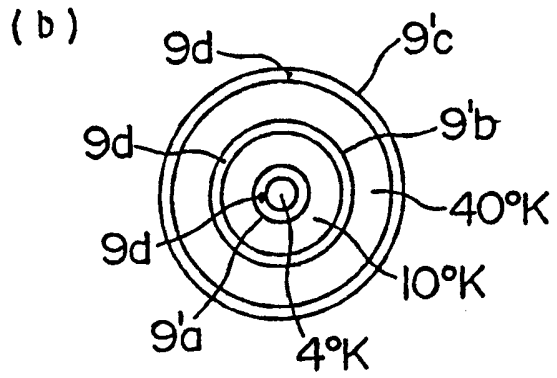
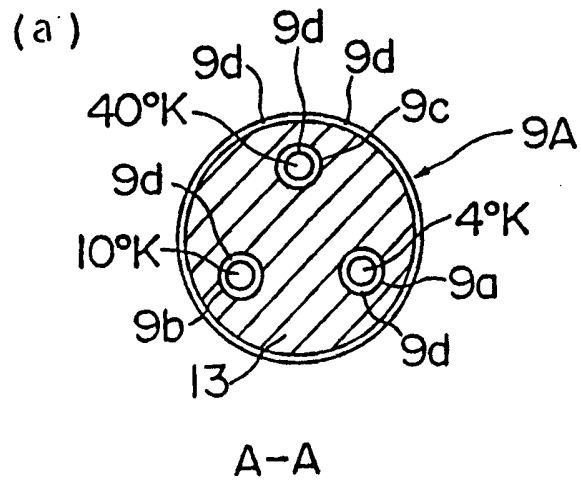
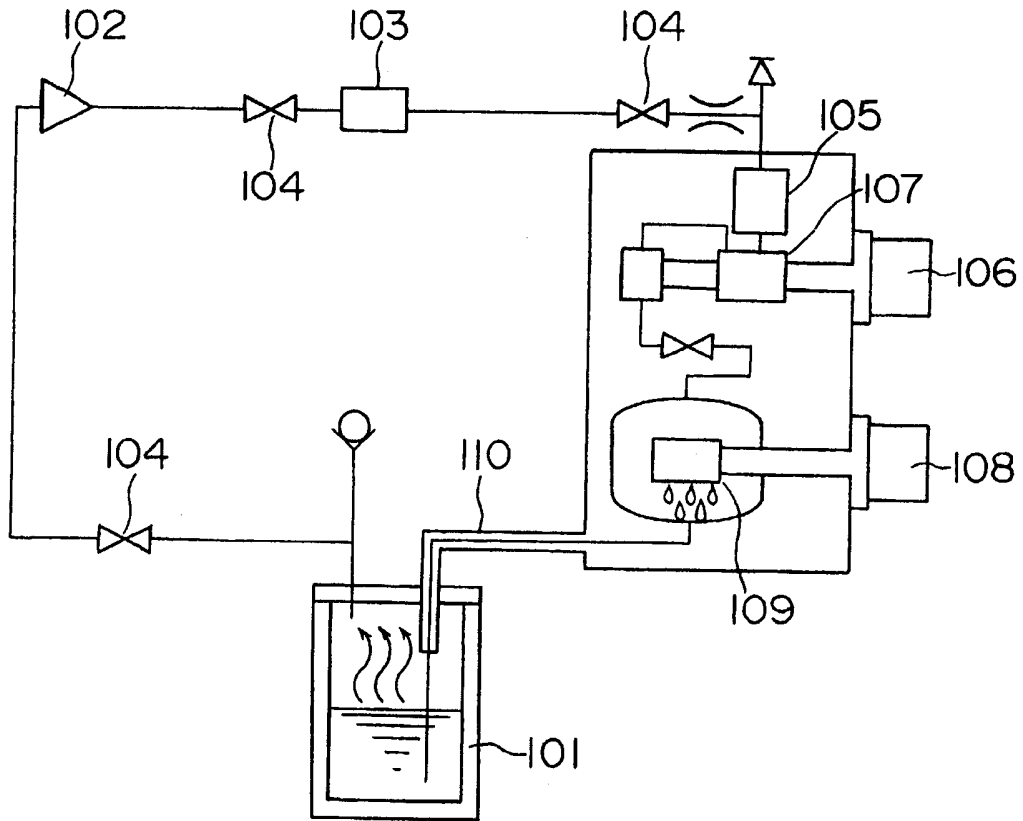


FIG. 4



PRIOR ART

